

HARVIA

EN Owner's/Operator's Manual

Sauna heater installation, wiring, operating instructions, trouble shooting, maintenance and guarantee.

IMPORTANT! This manual must be left with owner, manager or operator of Sauna after it is used by electrician!

MODEL

KIP-30-B1
KIP-45-B1
KIP-60-B1
KIP-80-B1

KIP-30-B3
KIP-45-B3
KIP-60-B3
KIP-80-B3

MODEL

KIP-30-W1
KIP-45-W1
KIP-60-W1
KIP-80-W1

MODEL

KIP-30-W3
KIP-45-W3
KIP-60-W3
KIP-80-W3

CONTROLS

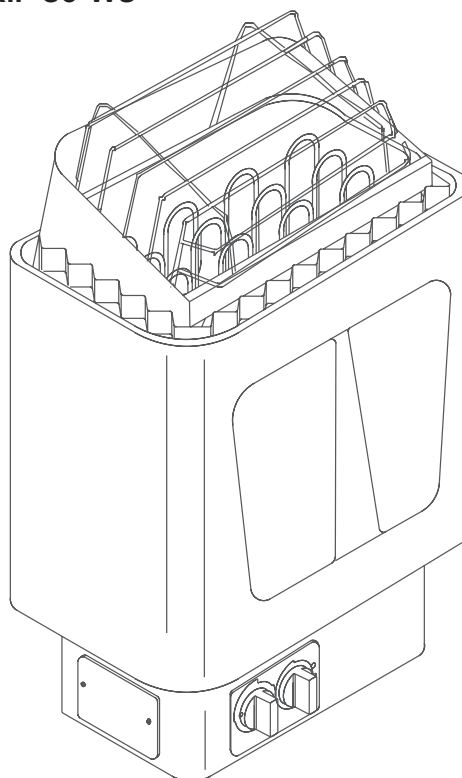
CG170-U1
CG170-U3
CX170-U1
CX170-U3

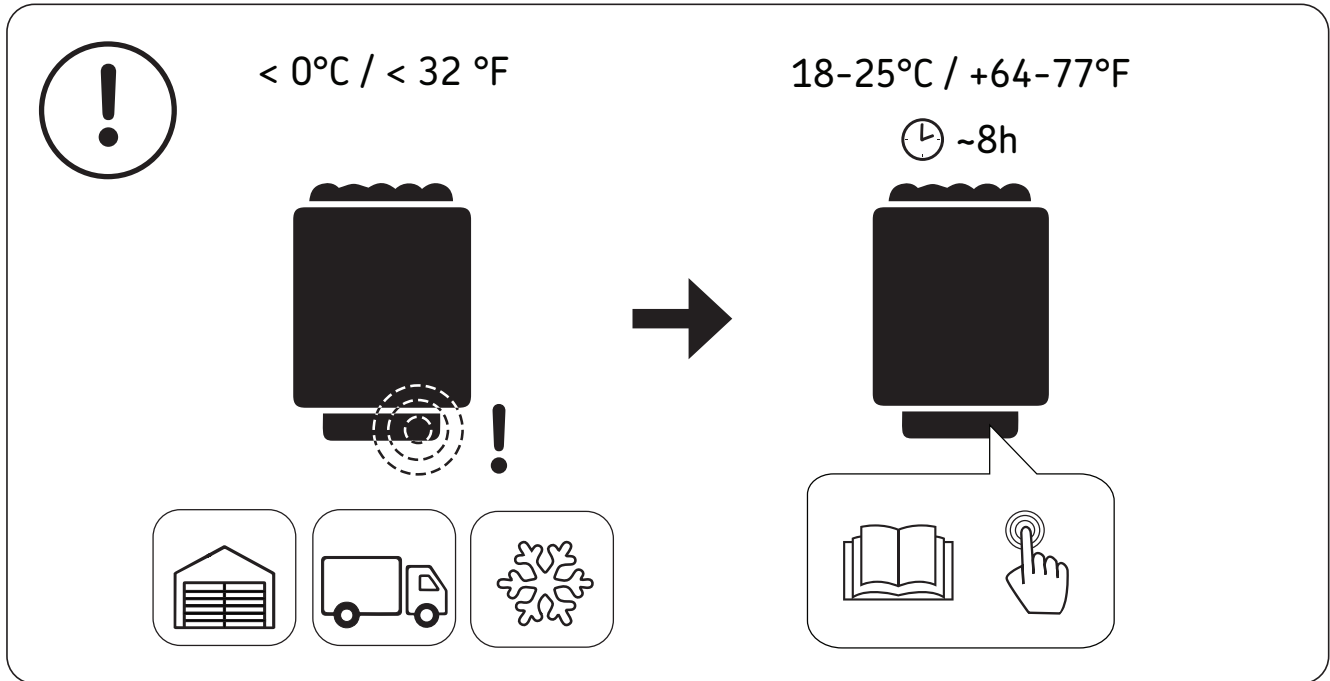


LISTED 6J21
SAUNA HEATER

Sauna Specialiste Inc.
1085 Desserte Nord Autoroute 440 Ouest
Laval, QC H7L 3W3
Toll free: 1 855-689-2422

Harvia US Inc.
3567 Jefferson St. N,
Lewisburg, WV 24901
+ 1 304-497-3991





! Overheat protector of the device can also go off at temperatures below -5°C / 23°F (storage, transport, environment). Before installation take the device to a warm environment. The overheat protector can be reset when the temperature of the device is approx 18°C / 64°F . The overheat protector must be reset before using the device. See the user manual > Resetting the Overheat Protector.

THE SAUNA ROOM SHALL BE PROVIDED WITH PROPER VENTILATION

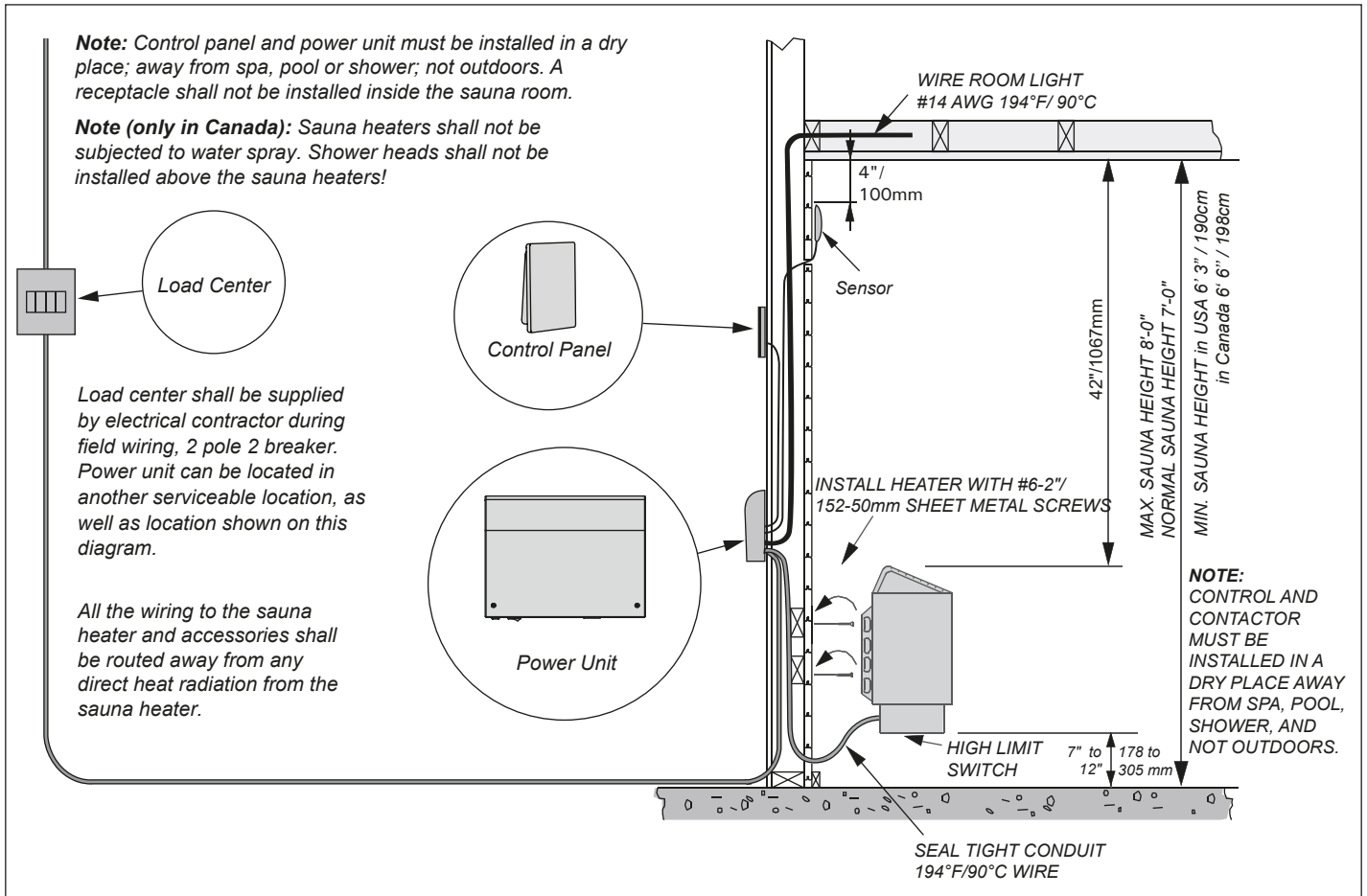


Figure 1. Digital Sauna Control CX170-U1 and CX170-U3

INSTALLATION OF WALL MODEL HEATER, CONTROL, CONTACTOR

1. Remove heater from carton and attach heater to wall with screws are supplied. If wall thickness is less than 3/4" (19 mm), use 2"x 4" (50 x 100 mm) backing behind heater. Observe proper clearances as per page 4 and table 1.

2. See applicable wiring diagram fig. 5-6 for heater model. Heater must be permanently installed (no pigtails or plug allowed) and wiring must be done by a licensed electrician, who must follow wiring diagram provided and adhere to local codes. Use proper A.W.G. rated wire size and use copper wire suitable for 194°F (90°C) within Sauna walls. Use grounding terminals provided in Sauna heater, control system, and contactor to properly ground the equipment as per NEC and local codes.

3. Inside the heater box there are two signs. Please place the metal "CAUTION" sign on the interior wall of the Sauna room directly above the heater in a visible place. Place the metal "WARNING" sign outside, on the door of the Sauna room. "MAINTENANCE INSTRUCTIONS" are at the end of this manual.

THE SAUNA ROOM SHALL BE PROVIDED WITH PROPER VENTILATION WALL-MOUNTED HEATERS-MINIMUM CLEARANCES, MIN-MAX SPACE, ADEQUATE VENTILATION

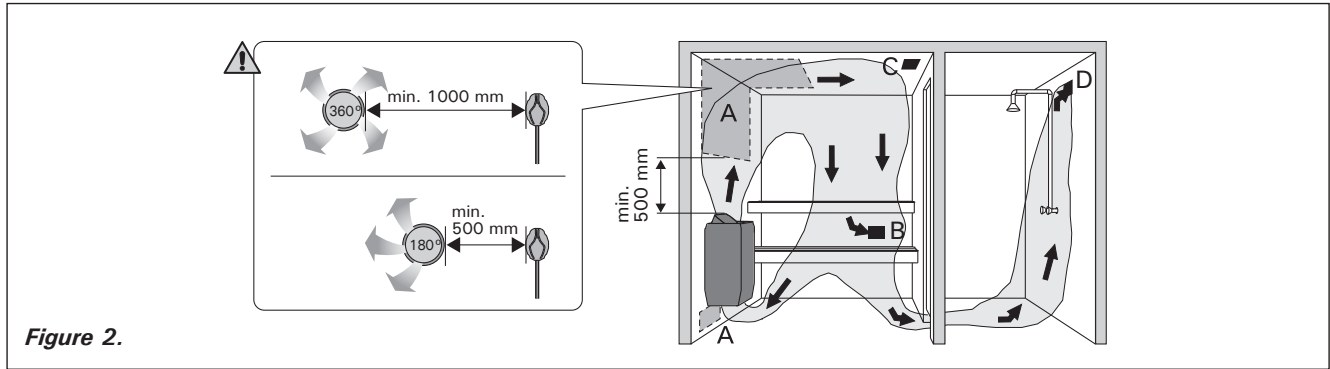


Figure 2.

SAUNA ROOM VENTILATION

The air in the sauna room should change six times per hour. Figure 2 illustrates different sauna room ventilation options.

NOTE! Do not place the supply air vent so that the air flow cools the temperature sensor

- A. Placement area for air supply vent (Ø 50 – 100 mm). If mechanical ventilation is used, air supply vent should be placed above the heater. If natural ventilation is used, air supply vent should be placed under or next to the heater. The diameter of the supply air pipe must be 50–100 mm.
- B. Exhaust air vent (Ø 100 – 200 mm). Place the exhaust air vent near the floor, as far away from the heater as possible. The diameter of the exhaust air pipe should be twice the diameter of the supply air pipe.
- C. Optional vent for drying (closed during heating and bathing). The sauna can also be dried by leaving the door open after bathing.
- D. If the exhaust air vent is in the washroom (Ø 100 – 200 mm), the gap underneath the sauna door must be at least 100 mm. Mechanical exhaust ventilation is mandatory.

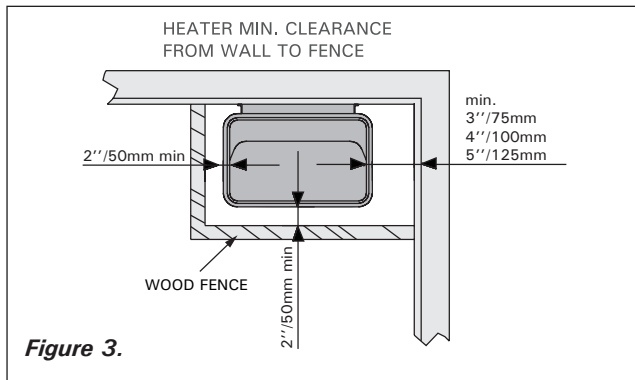


Figure 3.

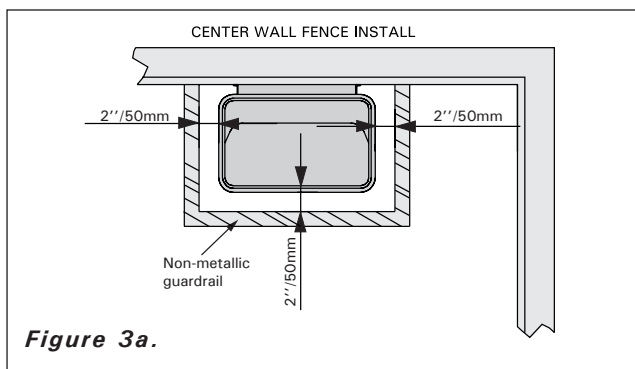


Figure 3a.

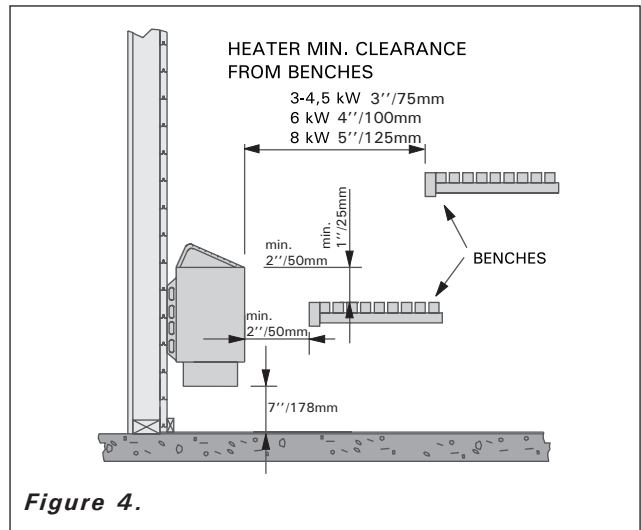


Figure 4.

MODEL	INPUT	MIN. HEIGHT	FLOOR AREA		SAUNA ROOM		MIN. SPACING FROM ADJACENT SURFACES, INCHES/MM
	kW		INCHES/MM	Min. Sq.Ft/ m ²	Max. Sq.Ft/ m ²	Min. Cu.Ft/ m ³	
KIP-30-B/W	3.0	USA: 75/1900 CANADA: 78/1980	10/1	20/2	84/2,4	130/3,7	3/75
KIP-45-B/W	4.5		16/1,5	30/2,8	100/2,8	210/6	3/75
KIP-60-B/W	6.0		28/2,6	40/3,7	170/4,8	300/8,5	4/100
KIP-80-B/W	8.0		40/3,7	65/6	250/7,1	425/12	5/125

Table 1.

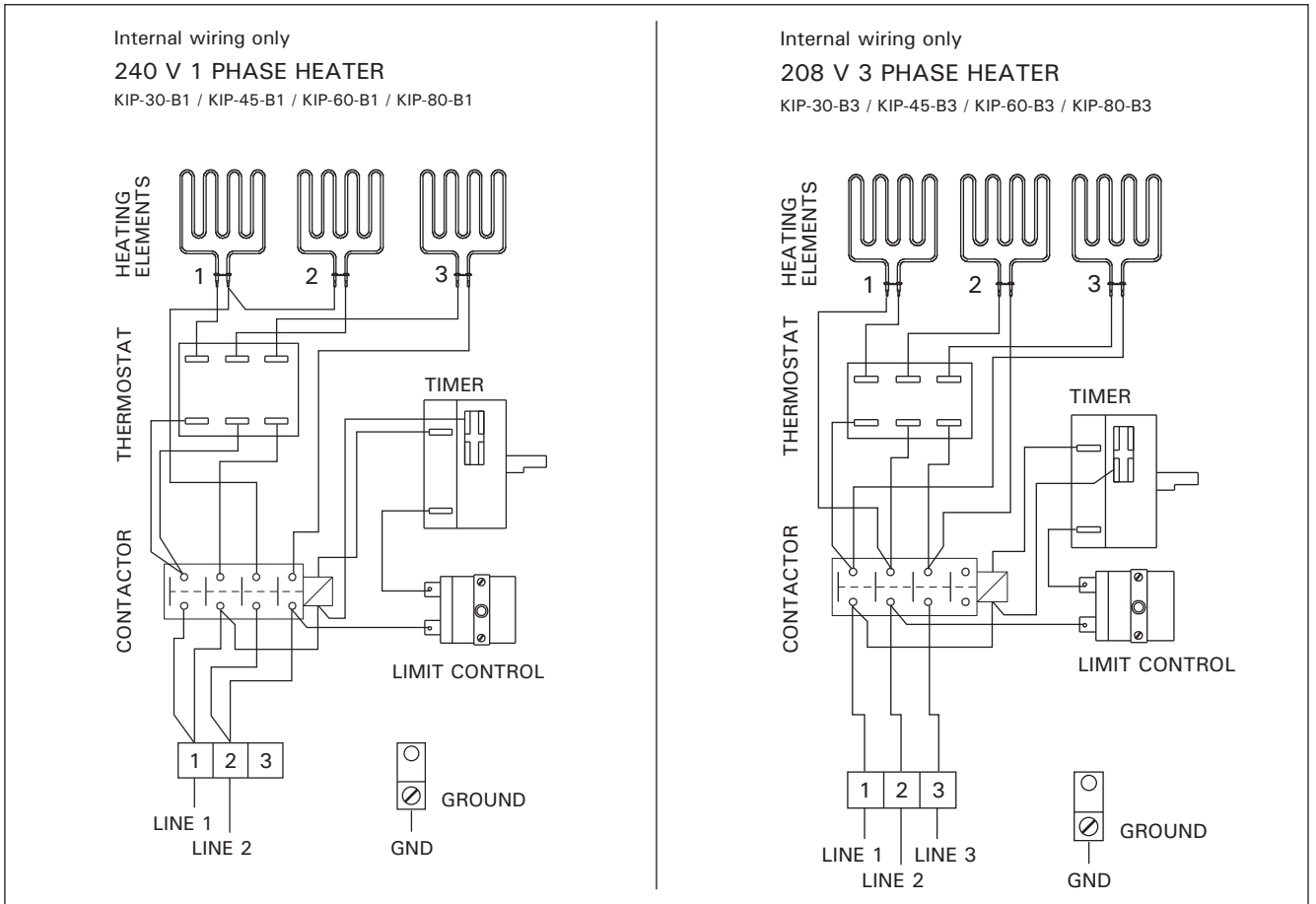


Figure 5.

SAUNA HEATER (240 V) WITH BUILT IN CONTROLS					
Model	kW	Amps	Voltage	Phase	Wire size
KIP-30-B1	3.0	12.5	240	1	#12/2
KIP-45-B1	4.5	18.8	240	1	#10/2
KIP-60-B1	6.0	25.0	240	1	#10/2
KIP-80-B1	8.0	33.3	240	1	#8/2

SAUNA HEATER (208 V) WITH BUILT IN CONTROLS					
Model	kW	Amps	Voltage	Phase	Wire size
KIP-30-B3	3.0	8.3	208	3	#14/3
KIP-45-B3	4.5	12.5	208	3	#14/3
KIP-60-B3	6.0	16.7	208	3	#12/3
KIP-80-B3	8.0	22.2	208	3	#10/3

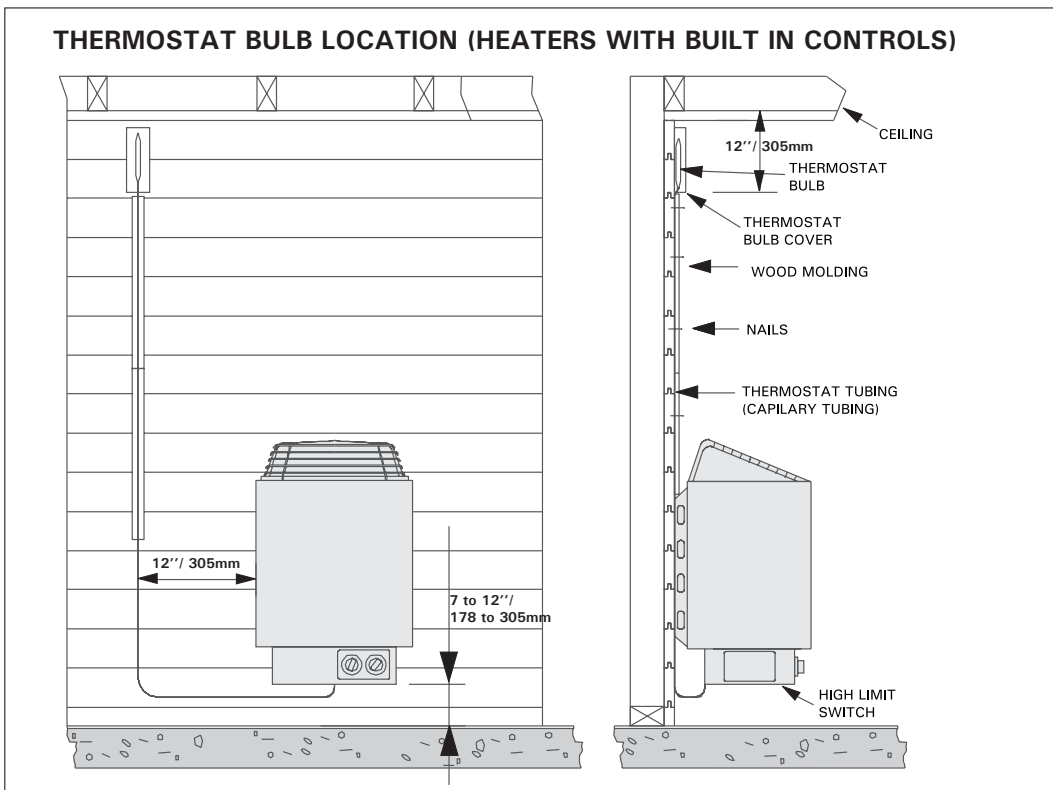


Figure 5a.

SAUNA HEATER WIRING AND HOOKUP

Important! Heaters with built in controls: Before hooking up electrical wires to junction box of heater, remove capillary tubing and bulb from junction box and bring up wall to left or right side of heater. Cover tubing with wooden molding provided, coil up excess tubing, and place under heater close to floor.

Refer to chart on page 5 for proper wire size and amperage. See page 4 for required clearances. Any wiring within internal Sauna walls and ceiling must be rated 194°F (90°C) and copper wire must be used. Run wire through seal tight flex conduit from wall to heater and connect to junction box at back of heater with 194°F (90°) connector. Connect to terminals 1 and 2 and connect ground wire to lug marked ground. (Cover plate under heater must be removed first.)

Note! If connection to heater will be made at a later time, bring flex into Sauna room 4–6" (100 – 150 mm) from floor, and leave 3' (900 mm) of flex for hookup (can be cut to right length later).

Before testing heater, fill rock cavity with igneous stones purchased from an official Harvia distributor and fasten metal rock guard at top of heater. (See general info concerning washing and placing of stones.)

Be sure to cover thermostat bulb with protective metal cover by threading bulb through holes in cover, and fasten bulb cover to wall with screws provided. Also, take care when nailing protective wood strips over capillary tubing, so that nails do not puncture tubing. If punctured, entire thermostat must be replaced.

Important! Heater must be connected to a standard 2-pole breaker, no GFI may be used. If this heater is connected to a GFI breaker, nuisance tripping may occur causing unnecessary and unintended wear on internal components. If connected to a GFI breaker, warranty on internal components will be voided.

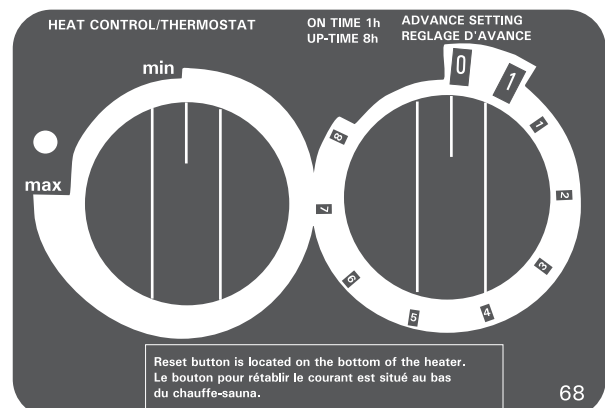
SAUNA TIMERS

Heaters have a 60 min. timer (0 to large 1 on the dial), and if you wish to use the full 60 min. cycle, turn the timer knob past the first 1 to number 2 or 3 on the dial. Then turn backward to the large 1 until a click is heard. Leave knob at the setting, and Sauna will operate for 1 hour before shutting off automatically.

Allow at least 30 minutes for room to heat up to an average Sauna temperature. Note!! If you set timer past first 1, timer will not come on until the time set has elapsed. The 60 min. timer is quiet. It does not tick.

Timers have an added feature--an 8 hour time clock (small 1 to 8 on the timer dial). If you wish to preset your Sauna heater to automatically turn on when you are away, you may preset up to 8 hours in advance of Sauna bathing.

For eg., if you set the timer knob at number 3 setting, the Sauna heater will turn on 3 hours later, and will be ready for useage in 3 1/2 hours (allowing for 1/2 hour heat up time). The heater will shut off automatically in another half hour, and if you wish to continue using Sauna, reset the 60 min. timer back up to the large 1.



Heaters have a heat control (thermostat) which must be set between minimum and maximum heating, or the timer will not cause the Sauna to heat. Put heat control setting to maximum, heat Sauna for 1/2 to 1 hour to observe adequate Sauna temperature. If room is too hot, adjust heat control knob back toward minimum setting, until desired temperature is reached.

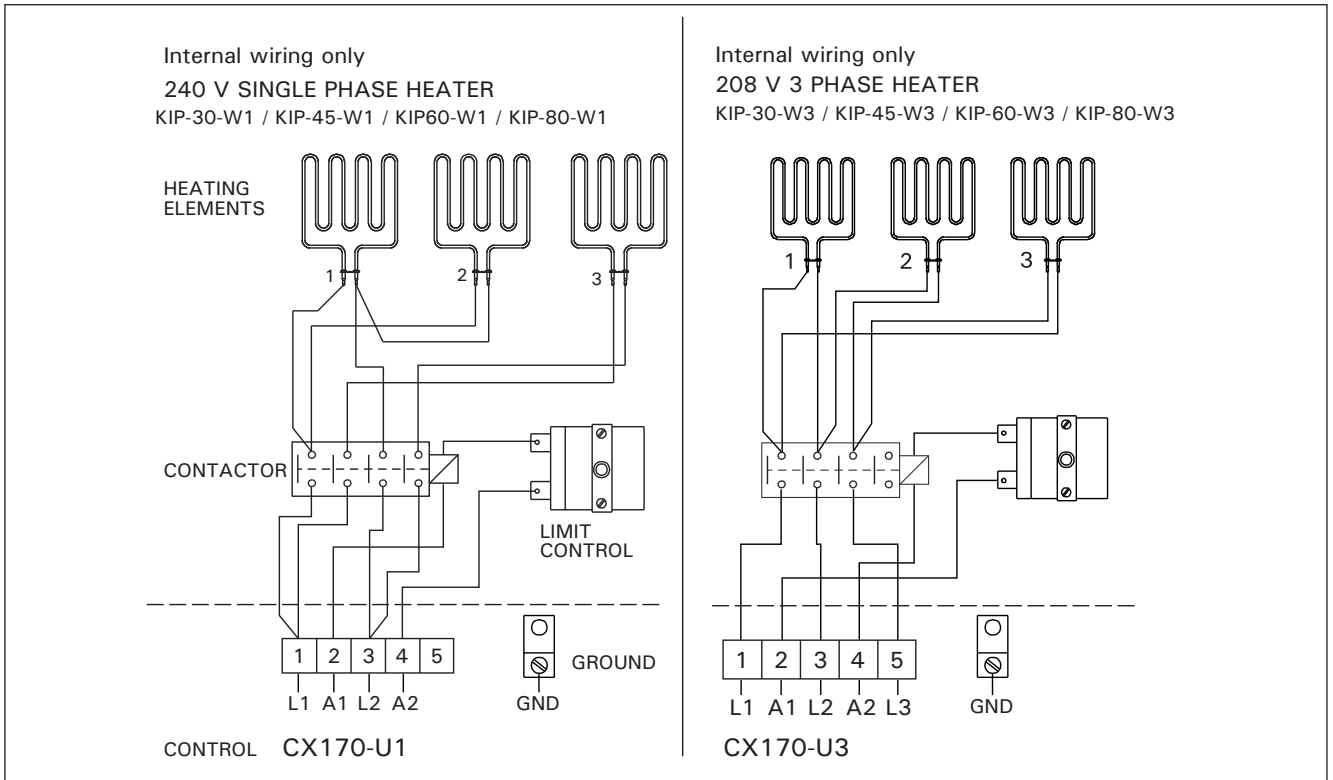


Figure 6. Wiring diagram

SAUNA HEATER (240 V) WITH CONTROL UNIT						
Model	kW	Amps	Voltage	Phase	Wire size	Control
KIP-30-W1	3.0	12.5	240	1	#12/2 + #14/2	CG170-U1/CX170-U1
KIP-45-W1	4.5	18.8	240	1	#10/2 + #14/2	CG170-U1/CX170-U1
KIP-60-W1	6.0	25.0	240	1	#10/2 + #14/2	CG170-U1/CX170-U1
KIP-80-W1	8.0	33.3	240	1	#8/2 + #14/2	CG170-U1-15/CX170-U1-15

SAUNA HEATER (208 V) WITH CONTROL UNIT CG170-U3/CX170-U3						
Model	kW	Amps	Voltage	Phase	Wire size	
KIP-30-W3	3.0	8.3	208	3	#14/3 + #14/2	
KIP-45-W3	4.5	12.5	208	3	#14/3 + #14/2	
KIP-60-W3	6.0	16.7	208	3	#12/3 + #14/2	
KIP-80-W3	8.0	22.2	208	3	#10/3 + #14/2	

SAUNA – GENERAL INFORMATION

Rock placement – do not operate heater without stones!

Sauna heater stones are significant in terms of the unit's safety. In order for the warranty to remain valid, the user is responsible for proper maintenance of the stone space in accordance with the specifications and instructions.

Use only the stones which are purchased from an official harvia distributor. Suitable sauna stone materials are peridotite, olivine diabase, olivine and vulcanite. Wash stones with water hose and place inside of heater box so that rocks are between and around heating elements. Do not force rocks between elements as this may cause damage.

Use smaller stones first, and continue to fill heater with larger stones until they are about 2" (50 mm) below rock guard.

The warranty does not cover any defects that have been caused by the use of decorative stones or by sauna stones not recommended by the manufacturer.

Stones should be placed loosely within heater so that there is good air circulation around and through them. Stones should completely cover the heating elements. Pouring water over exposed elements could cause heater damage!

TESTING OF SAUNA HEATER

1. After Sauna heater has been properly wired by a licensed electrician, according to appropriate wiring diagram and local codes, turn Sauna breaker on in the main breaker panel. (Note! Electrician must label "Sauna" breaker.)
2. Turn thermostatic (heat) control to on position (this is located either on your heater or on your remote wall control. If you have a wall control, the indicator light will come on to show that the Sauna is heating). Set timer to 10 or 15 minutes.
3. Within 5 minutes, you should be able to feel heat from heater elements when holding your hand over heater. **Do not touch hot elements or rocks!**
4. If Sauna does not heat, refer to troubleshooting information.
5. It is normal for smoke to appear during the first heating, as protective element coating needs to burn off. **Turn sauna on for 1 hour before using the first time, to eliminate smoking.**

TROUBLESHOOTING

A. If sauna does not operate after initial installation and wiring: See our trouble shooting guide and add

1. Check breaker to be sure that it is on. Also, breaker should be correct size.
2. Check circuit breaker in contactor to be sure that it has not been shorted out.
3. Be sure that thermostat and timer are both in on position.
4. Be sure that timer winds down. If timer has been shorted out, heater will not operate.

B. If sauna has been in operation, but heater ceases to operate: See our trouble shooting guide and add

1. Check breaker to make sure it is on.
2. Check timer to see if it winds down.

3. Check high limit reset button in heater (reset is under the heater (wall models) or on the back of the junction box (floor models)) to see if it has been released.
4. Call your electrician or service person for further help.

NOTE! A ground fault interrupter (GFI) should not be installed in and does not belong in a Sauna. If used, the breaker will trip, and damage could result.
C. If sauna heater operates, but sauna room does not come up to sauna temperature (160–185 °F (70 – 85 °C) normal sauna temperature):

1. You must allow at least 30 minutes for Sauna heat-up time.
2. Is Sauna thermometer located 6" (150 mm) from ceiling, and is it above or close to Sauna heater? (This is proper location for Sauna temperature reading.) Thermometer readings vary with room heights and location. Eg. 180 °F (82 °C) above Sauna heater = 165 °F (74 °C) on opposite wall = 140 °F (60 °C) on upper bench level = 120 °F (49 °C) on lower bench level = 100 °F (38 °C) at floor level.
3. Check for proper wire size, amp size, and proper wiring (according to diagrams and information) also necessary copper wiring.
4. Check for placement of stones to make sure they are loosely spaced around elements, to insure good air flow. Stones packed too tightly will restrict air flow and reduce heating capacity.
5. Check for heat loss (around or under door, around ceiling light or fan – we do not recommend ceiling light and a fan does not belong in the Sauna.
6. Is room properly insulated?
7. Is ceiling higher than 7' (2100 mm)?
8. After checking all the above, remove rocks and check heater elements for holes or burned areas. (Only if heater has been in use for some time.)

CAUTION! ELECTRICIAN OR SERVICE PERSON!

1. BEFORE SERVICING HEATER, CONTROL, CONTACTOR OR RESETTING HIGH LIMIT, TURN POWER OFF AT BREAKER!

2. Open junction box to make sure wires are tightly secured with no loose connections. Heater wire and all connecting wires should be copper.
3. Check for burned spots or short in wiring of timer or thermostat.

Warranty on parts is void if installer/electrician fails to follow necessary wiring information provided or fails to follow code for proper wire size, amperage, etc.


HIGH LIMIT CONTROL



Before resetting high limit control, turn power off at breaker!

Each heater is equipped with a high limit control which is a safety device. If an abnormal heating condition should occur, the heater will automatically shut off, and it will not come on again until it cools.

To reset the high limit, locate the reset button (bottom front on wall models, behind junction box at back bottom of heater on floor models) and push upward until contactor kicks in. Be sure that a GFI has not been installed.

 **Overheat protector of the device can also go off at temperatures below -5 °C / 23 °F (storage, transport, environment). Before installation take the device to the warm environment. The overheat protector can be reset when the temperature of the device is approx 18 °C / 64 °F. The overheat protector must be reset before using the device.**

Receptacles OR PLUGS are not allowed in a Sauna room. If a speaker is installed in a Sauna room, it should not be installed higher than 3' (900 mm) from floor, away from the Sauna heater (consult manufacturer for ratings).

ROOM LIGHT should be a vapor proof, wall-mounted type, with rough-in box mounted flush with inside paneling. It should mount 6'6" from floor, not directly over Sauna heater, and not over upper benches; light bulb should not exceed 75 watts. **NOTE! Heat may cause accelerated wear on lighting, for longest lasting results, place lights low in room away from heater. Under benches is an ideal location.**

HEATER FENCE is necessary for safety and should be constructed of 1" x 2" (25 x 50 mm) or 2" x 2" (25 x 50 mm) softwood to match Sauna interior. See figures 2-4 for clearances from Sauna heater. Fence should attach to wall and should not be placed higher than top of heater below rock line.

ROOM CONSTRUCTION – GENERAL INFORMATION

A. FRAMING

- 2" x 4" (50 x 100 mm) any suitable wood material, 16" (406 mm) o.c.

B. CEILING HEIGHT

- no higher than 7'0" (2100 mm).

C. INSULATION

- Fiberglass or rock wool insulation with a minimum R11 insulating factor in all walls and ceiling. Paper-backed aluminum vapor barrier installed over insulation on all walls and ceiling with aluminum side facing into the sauna room.

D. DRYWALL

- See local codes. Is not required in most residences. See local codes commercial. If drywall is used, apply 1" x 2" (25 x 50 mm) nailers so that wall and ceiling boards can be attached to solid wood.

E. PANELING

- Use kiln-dried clear tongue & groove softwood, such as Spruce, Pine, Aspen, Alder, Cedar, or other suitable softwood material (with moisture content not exceeding 11%).

F. BENCHES

- Use matching wood or other suitable wood as described in section E. Minimize knots on seating area as knots can become very hot and may be uncomfortable for bathers. Fasten from bottom to prevent burning.

G. HEATER GUARDRAIL

- Use matching softwood.

H. DOOR

- Must open out and should not have a lock.

I. FLOORING

- concrete, ceramic tile, or heavyduty Vinyl.

J. VENTILATION

- should be provided by intake vent close to heater, 2" (50 mm) from floor, and out vent on opposite wall (if possible) 10" (250 mm) to 12" (300 mm) from floor. Vents should be adjustable and should allow air to change 5 times per hour. Sauna shall be provided with intended ventilations as required per the local code authorities.

K. LIGHT

- Wall-mounted, vapor-proof type lighting can be used at minimum 6" (150 mm) from ceiling, can be placed lower in room. Heat may accelerate wear on lighting, for longest lasting installation, place lights lower in the sauna away from heater (under benches is ideal).

L. ACCESSORIES

- bucket, ladle and thermometer are essential. Thermometer should be placed over the Sauna heater, 6" (150 mm) from ceiling, for correct temperature reading. Thermometers may require calibration before use for accurate readings. Other accessories such as hygrometer, sand timer, brushes, etc. are available.

M. MAINTENANCE INSTRUCTIONS

- are included at the end of this manual.

N. WARNING SIGNS

- are furnished with Sauna heater. The metal "CAUTION" sign should be fastened to wall, close to heater, in a visible place. The metal "WARNING" sign should be fastened outside, to the Sauna room door.

WARNINGS!

Do not smoke, use alcohol, or exercise in the sauna!

Do not exceed 30 min. in the sauna at one time, as excessive exposure can be harmful to health. The sauna should not be used as an endurance test!

Persons with poor health should consult their physicians before using the sauna!

Avoid fire, do not place any combustible material over the sauna heater (towels, bathing suits, wooden bucket or dipper)!

Use only clean tap water on the stones – do not use pool, spa, or well water, as chlorine gas can be produced and the heating elements can be damaged!

Hyperthermia occurs when the internal temperature of the body reaches a level several degrees above the normal body temperature of 98,6°F (37°C). The symptoms of hyperthermia include an increase in the internal temperature of the body, dizziness, lethargy, drowsiness, and fainting.

The effects of hyperthermia include:

- A) Failure to perceive heat**
- B) Failure to recognize the need to exit the room**
- C) Unawareness of impending hazard**
- D) Fatal damage in pregnant women**
- E) Physical inability to exit the room**
- F) Unconsciousness**

Warning – the use of alcohol, drugs or medication is capable of greatly increasing the risk of fatal hyperthermia!

MAINTENANCE INSTRUCTIONS

1. Use only clean water on Sauna stones. **Do not** use spa, pool, or well water as it will destroy your heater.
2. Clean water should always be used in Sauna buckets and water should be dumped out after every use. Scour buckets and dippers occasionally when film collects from usage. Use plastic bucket liner in bucket to prevent water leakage.
3. Scrub benches with a soft brush, using soap and water or a mild disinfectant, when needed – about once a week in commercial Saunas, or depending upon Sauna usage. For sanitation, each bather should sit or lie on a towel (this will prolong bench life).
4. Remove possible removable flooring and wash waterproof floor with disinfectant (e.g. Pine Sol) about once a week or as often as needed. Hose off removable flooring to clean.
5. To maintain beautiful appearance of Sauna heater, remove water stains by wiping with a damp cloth occasionally.
6. Sauna Heaters require no special maintenance when properly installed by a qualified electrical contractor. After 5 years of usage, the rocks may need replacing if they have crumbled or powdered.
7. We strongly recommend a floor that can be easily cleaned (concrete, ceramic tile, or a poured type of flooring). When this is provided, the Sauna can be easily cleaned and kept in a sanitary condition with little effort. A carpet is NOT recommended for a Sauna! A carpet becomes a perfect breeding ground for bacteria in the moist conditions of a Sauna; and a carpet promotes the spread of foot diseases such as athlete's foot. For the same reasons, wooden duckboard should not be used for flooring.

8. In new construction, a floor drain should also be provided, especially in commercial Saunas for sanitary cleaning and maintenance.
9. Seal wood around glass in door—inside and outside—with Harvia sauna sealer to prevent warpage.
10. When Sauna wood becomes stained from perspiration, the wood may be lightly sanded with fine sandpaper to restore beautiful appearance. We do not recommend stains or sealers as toxic vapors may appear when heated. However, 2 coats of Harvia sauna sealer may be used on the wood benches in a commercial Sauna, so that the wood may be more easily cleaned and kept sanitary – the wood will not absorb perspiration.
11. The Sauna room will heat faster if the higher vent is kept in a closed position when heating. The lower vent may always be kept in an open position.
12. Required warning signs should be posted according to the instructions.

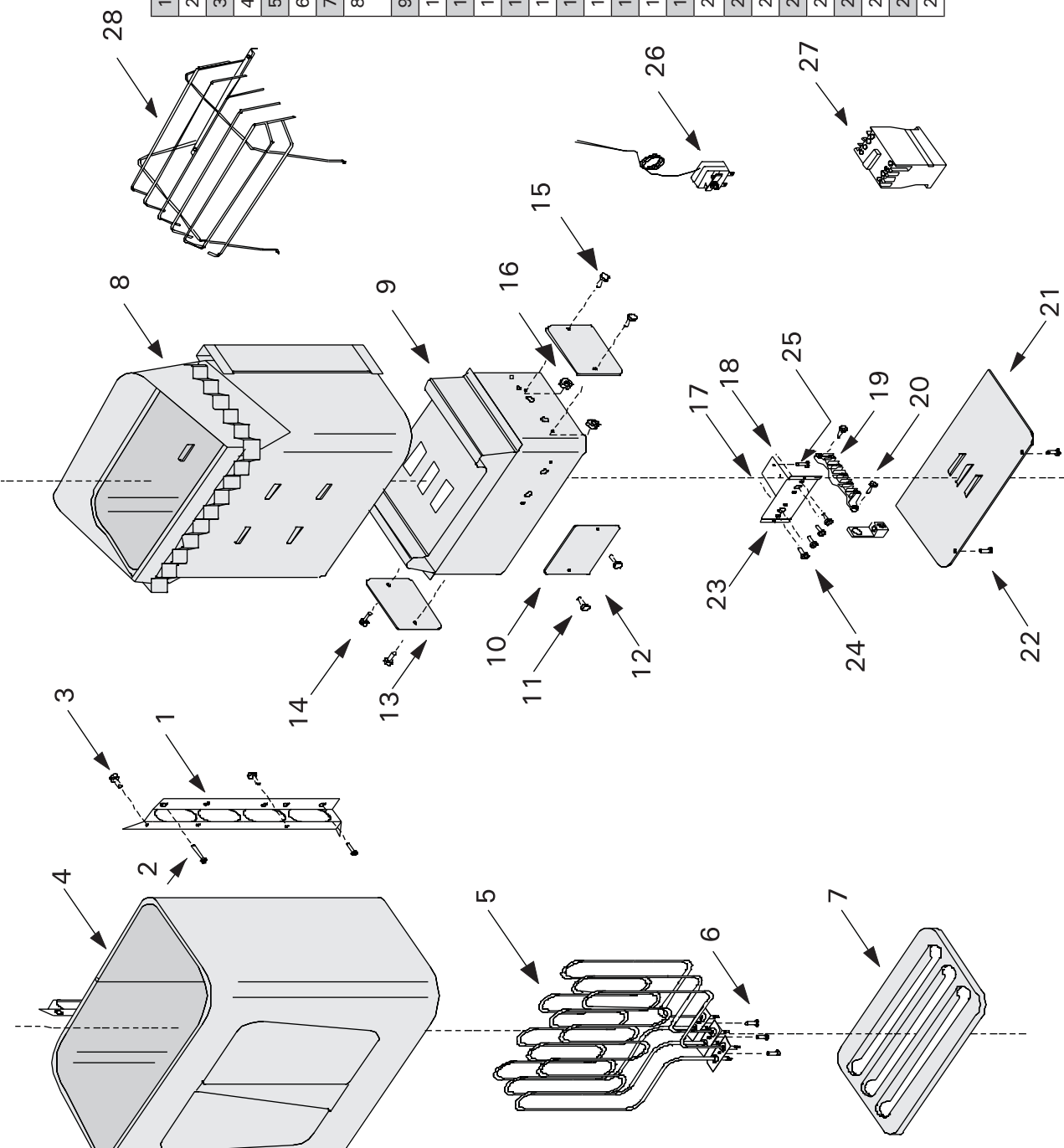
Owner of the sauna heater must make sure that sauna heater is turned off correctly every time after bathing.

Owner of the sauna heater must obey these maintenance instructions!

KIP-60-B1/KIP-60-B3

Sauna heaters type -W1, W3 without parts nr 12, 17 and 18

1.	Wall bracket
2.	Tapping screw
3.	Tapping screw
4.	Casing
5.	Heating element
6.	Slothead screw
7.	Bottom grille
8.	Stone compartment, assembled (frame)
9.	Electrical casing, assembled
10.	Plate
11.	Screw
12.	Tapping screw
13.	Rating plate
14.	Slothead screw
15.	Slothead screw
16.	Hexagon nut
17.	Thermostat
18.	Timer
19.	Terminal strip (USA)
20.	Strip fixing screw (USA)
21.	Base plate
22.	Screw
23.	Bracket
24.	Slothead screw
25.	Slothead screw
26.	Overheating limiter/switch
27.	Contact (USA)
28.	Protective grille



JH30B2401 - JH80W2083 H12/94
 JF30B2401 - JFIN802083 H12/94

GUARANTEE

This HARVIA SAUNA heater is guaranteed for one year from date of purchase, and includes all heater parts such as thermostat, controls, contactors, etc. Heating elements are consummable goods and are therefore only guaranteed upon first use.

This guarantee covers faults in manufacture and material only, and includes the exchange of new parts supplied by the manufacturer or importer, after the faulty part has been returned to same. The replacement of parts under warranty does not extend the warranty period beyond the original one year.

The guarantee does not cover defects caused by normal wear and tear, defects caused by improper installation, poor maintenance, or failure to follow the manufacturer’s instructions for installation, use and care, or alterations made to the Sauna product.

This guarantee is void if the heater is used improperly, pool, spa, or well water should not be poured over the Sauna stones, as chemicals are harmful to the heater; the Sauna room must

be heated for at least 30 minutes before water is poured over the stones; only one or two dippers full of water should be poured over the hot stones at one time. This guarantee will be void if a shower has been installed in the Sauna room.

This guarantee does not cover delivery costs of the faulty part or costs of the person carrying out the repair in the field. If the Sauna heater is returned to the manufacturer or the importer within five years after date of purchase, the importer will provide free labor for repair, but will charge for parts if date of purchase is past one year.

This guarantee will be void if installation and wiring is not carried out by a certified electrician or authorized and qualified service representative, who must sign below.

This guarantee will be void if information below is not filled out and returned to point of purchase via regular post or email within 15 days of purchase, and it applies only to original installation of product and to original purchaser.

HARVIA SAUNA HEATER _____

MODEL NUMBER _____

SERIAL NUMBER _____

DATE OF PURCHASE _____

ORIGINAL OWNER _____

ADDRESS _____

PURCHASED FROM _____

ELECTRICAL CONTRACTOR _____

COMPANY NAME AND ADDRESS _____

MUST SIGN HERE _____

ELECTRICIAN’S LICENSE NUMBER OR TAX NUMBER _____

DATE OF ELECTRICAL _____

WIRING & HOOKUP _____

HARVIA

FR Manuel de l'utilisateur/opérateur

Instructions d'installation, de câblage et d'utilisation, dépannage, entretien et garantie du poêle de sauna.

IMPORTANT ! Ce manuel doit être remis au propriétaire, au gérant ou à l'opérateur du sauna après avoir été utilisé par l'électricien !

MODÈLE

KIP-30-B1
KIP-45-B1
KIP-60-B1
KIP-80-B1

KIP-30-B3
KIP-45-B3
KIP-60-B3
KIP-80-B3

MODÈLE

KIP-30-W1
KIP-45-W1
KIP-60-W1
KIP-80-W1

MODÈLE

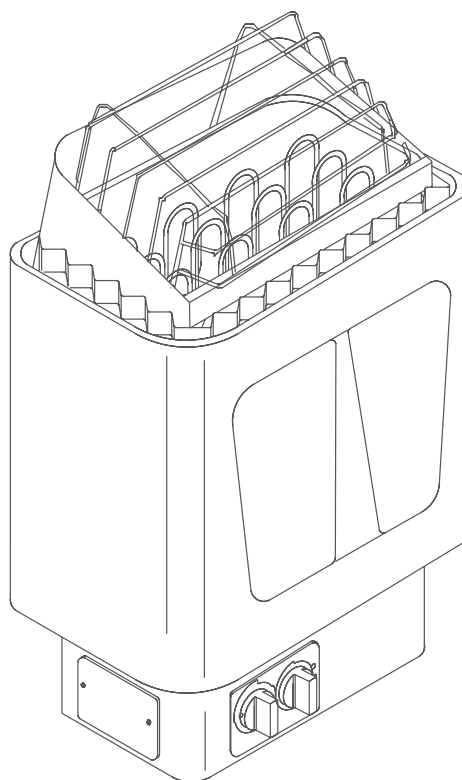
KIP-30-W3
KIP-45-W3
KIP-60-W3
KIP-80-W3

COMMANDES

CG170-U1
CG170-U3
CX170-U1
CX170-U3

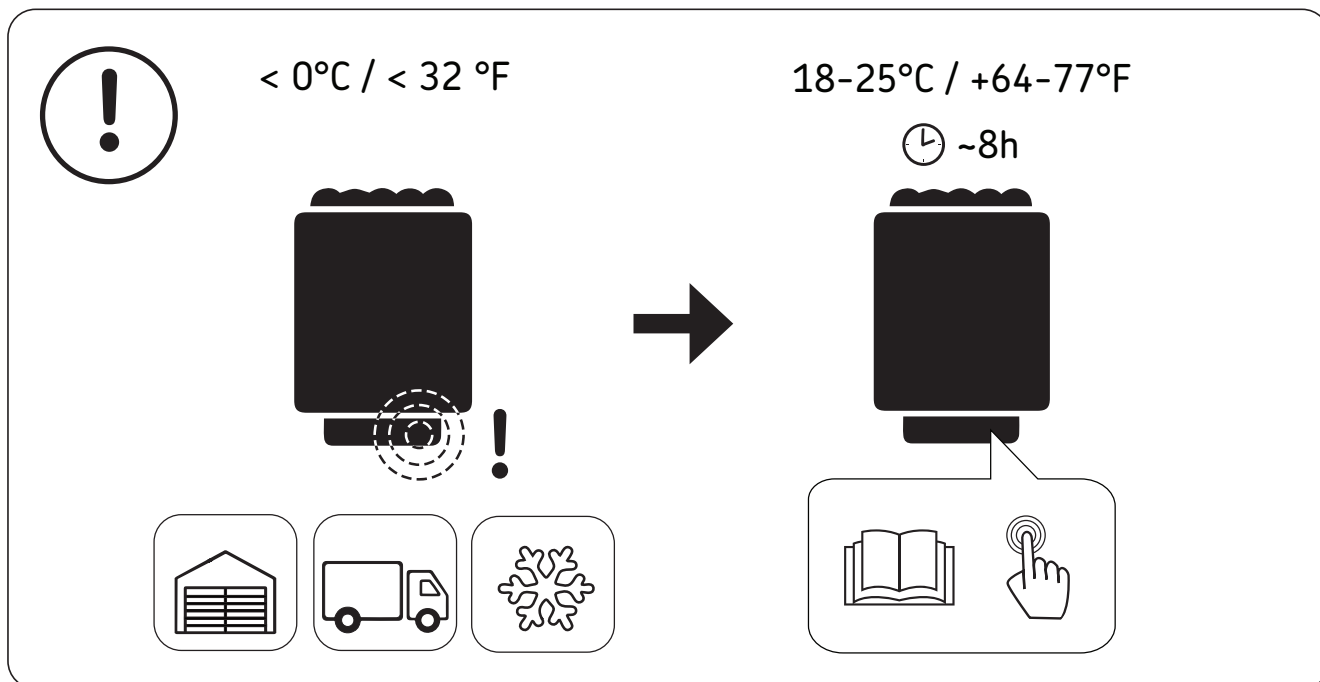


LISTED 6J21
SAUNA HEATER



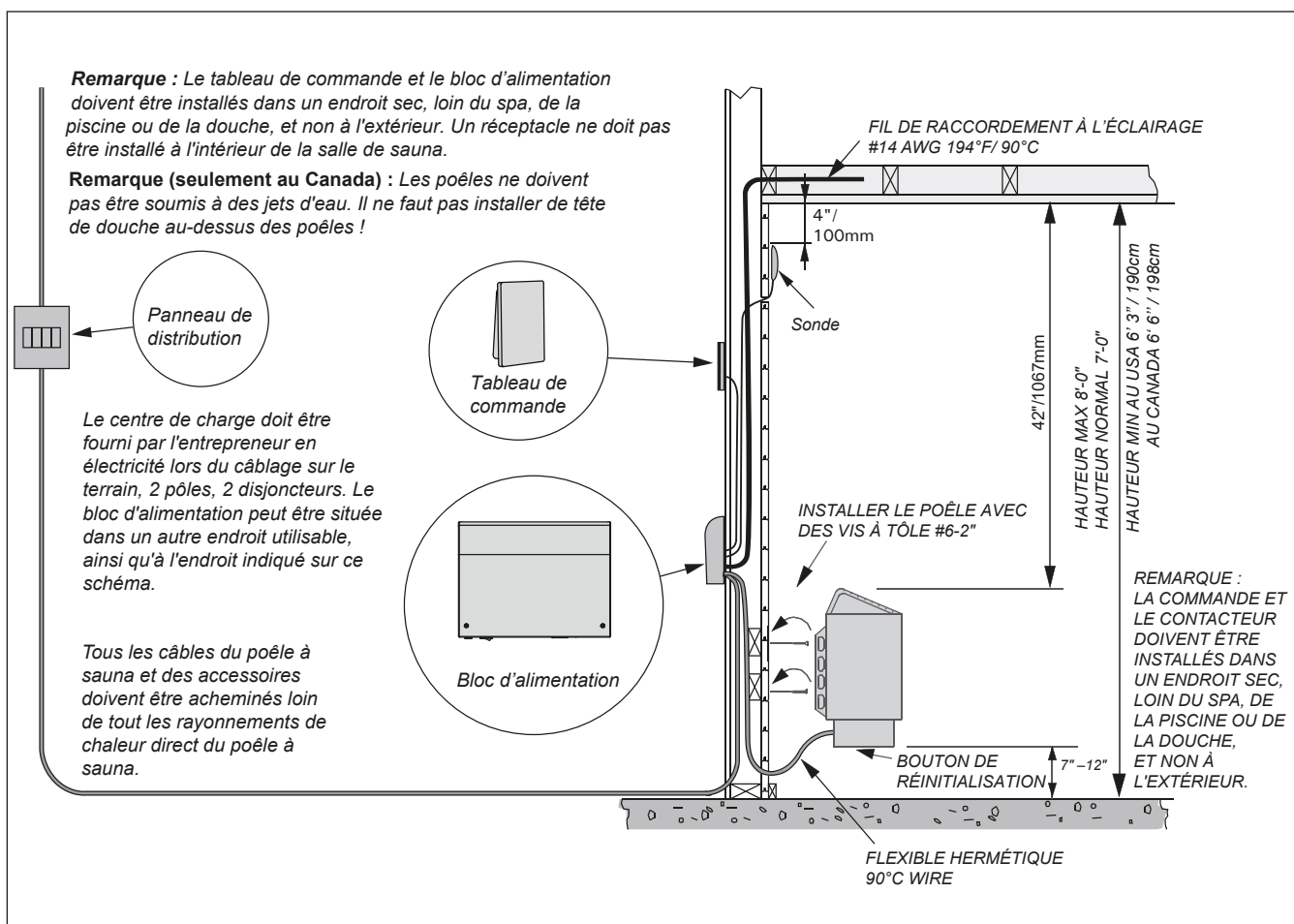
Sauna Specialiste Inc.
1085 Desserte Nord Autoroute 440 Ouest
Laval, QC H7L 3W3
Toll free: 1 855-689-2422

Harvia US Inc.
3567 Jefferson St. N,
Lewisburg, WV 24901
+ 1 304-497-3991



! La protection de surchauffe de l'appareil peut également se déclencher à des températures inférieures à -5°C / 23°F (stockage, transport, environnement). Avant l'installation, gardez l'appareil dans un environnement chaud. La protection de surchauffe peut être réinitialisée lorsque la température de l'appareil est d'environ 18°C / 64°F . La protection de surchauffe doit être réinitialisée avant d'utiliser l'appareil. Voir le manuel d'utilisation > Réinitialisation du protecteur de surchauffe.

LA CABINE DU SAUNA DOIT ÊTRE SUFFISAMMENT AÉRÉE



INSTALLATION DU POËLE MURAL, COMMANDE, CONTACTEUR

1. Sortez le poêle du carton et fixez-le à au mur avec les vis fournies. Si l'épaisseur du mur est inférieure à 3/4" (19 mm), utilisez un support de 2" x 4" (50 x 100 mm) derrière le poêle. Respectez les dégagements appropriés selon la page 16 et le tableau 1.

2. Voir le schéma de câblage correspondant au modèle de poêle, fig. 5-6. Le poêle doit être installé de façon permanente (sans spirale de raccord ni prise de courant mâle) et le câblage doit être effectué par un électricien agréé qui doit suivre le schéma de câblage fourni et respecter les codes locaux. Utilisez un fil de calibre A.W.G. approprié et un fil de cuivre adapté à une température de 90°C (194°F) dans les murs du sauna. Utilisez les bornes de terre prévues sur le poêle, le système de commande et le contacteur pour mettre l'équipement à la terre conformément au code national de l'électricité et aux codes locaux.

3. Deux panneaux se trouvent à l'intérieur du boîtier de l'appareil de chauffage. Placez le panneau métallique «ATTENTION» sur le mur intérieur de la cabine de sauna, directement au-dessus de l'appareil de chauffage, dans un endroit visible. Placez le panneau métallique «AVERTISSEMENT» à l'extérieur, sur la porte de la cabine de sauna. Les «INSTRUCTIONS D'ENTRETIEN» se trouvent à la fin de ce manuel.

LA SALLE DE SAUNA DOIT ÊTRE SUFFISAMMENT AÉRÉE. POÊLES MURAUX : DÉGAGEMENTS MINIMAUX, ESPACE MIN.-MAX., AÉRATION ADÉQUATE

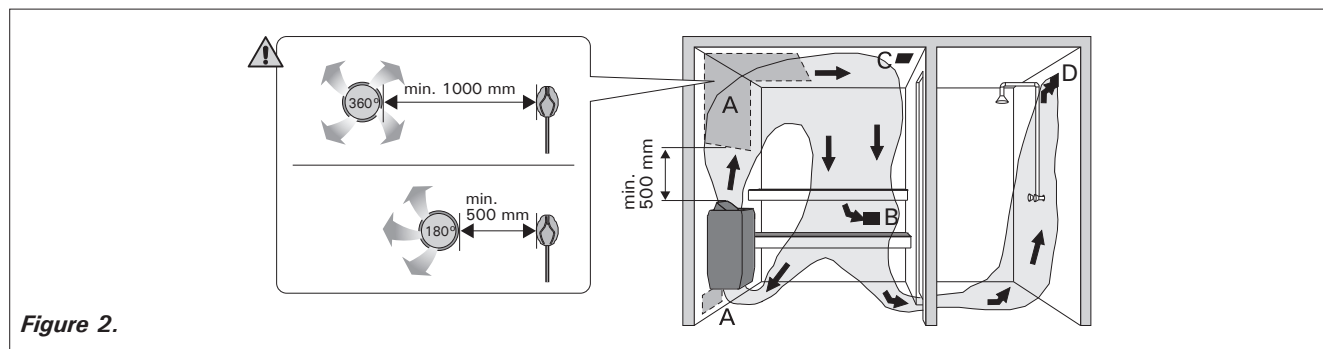


Figure 2.

VENTILATION DE LA CABINE DE SAUNA

L'air de la cabine de sauna doit se renouveler six fois par heure. La figure 4 présente différentes options de ventilation de la cabine de sauna.

Remarque ! Ne pas placer la bouche d'air de manière à ce que le flux d'air refroidisse le capteur de température !

- A. Zone d'installation de l'entrée d'air. En cas d'utilisation d'une ventilation mécanique, l'entrée d'air doit être placée au-dessus du poêle. En cas d'utilisation d'une ventilation naturelle, l'entrée d'air doit être placée en dessous ou à côté du poêle. Le diamètre du conduit d'arrivée d'air doit se situer entre 50 et 100 mm.
- B. Sortie d'air. Placer la sortie d'air près du sol, aussi loin que possible du poêle. Le diamètre du conduit de sortie d'air doit correspondre au double de celui du conduit d'arrivée d'air.
- C. Sortie d'air facultative pour le séchage (fermée pendant le chauffage et les séances de sauna). Le sauna peut également être séché en laissant la porte ouverte après la séance.
- D. Si la sortie d'air se trouve dans la salle adjacente, l'espace laissé sous la porte de la cabine doit être au moins égal à 100 mm. La ventilation mécanique est obligatoire.

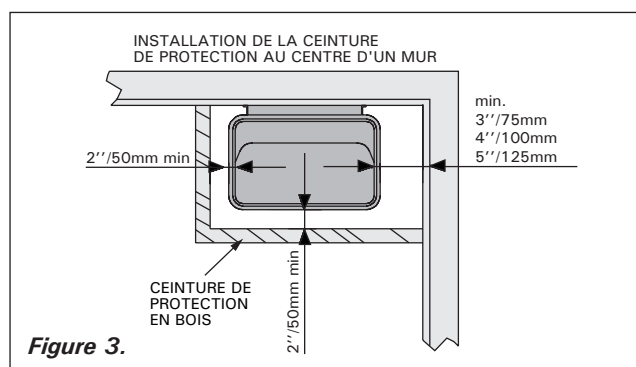


Figure 3.

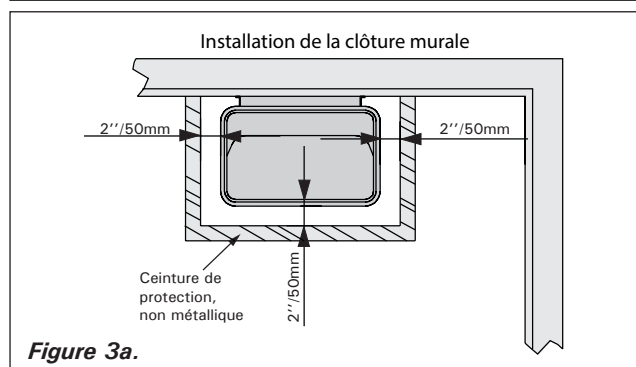


Figure 3a.

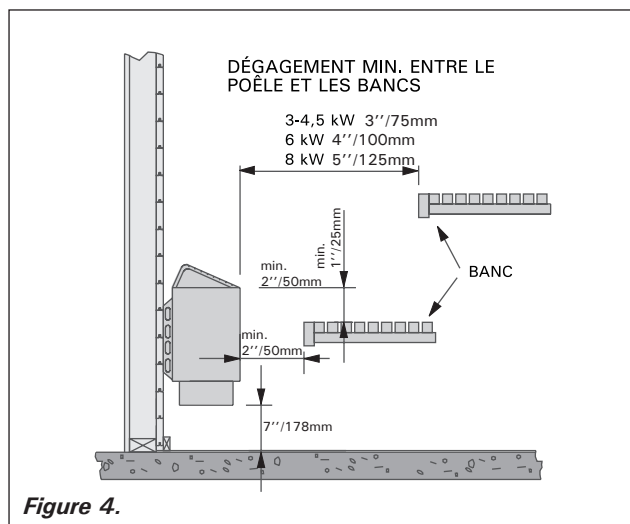


Figure 4.

MODÈLE	CONSUMMATION EN kW	HAUTEUR MIN. POUCES/MM	SURFACE AU SOL		SAUNA		DISTANCE MIN. DE LA SURFACE ADJACENTE EN POUCES/MM
			Min. Pieds carres/m ²	Max. Pieds carres/m ²	Min. Pieds cubes/m ³	Max. Pieds cubes/m ³	
KIP-30-B/W	3.0	USA: 75/1900 CANADA: 78/1980	10/1	20/2	84/2,4	130/3,7	3/75
KIP-45-B/W	4.5		16/1,5	30/2,8	100/2,8	210/6	3/75
KIP-60-B/W	6.0		28/2,6	40/3,7	170/4,8	300/8,5	4/100
KIP-80-B/W	8.0		40/3,7	65/6	250/7,1	425/12	5/125

Tableau 1.

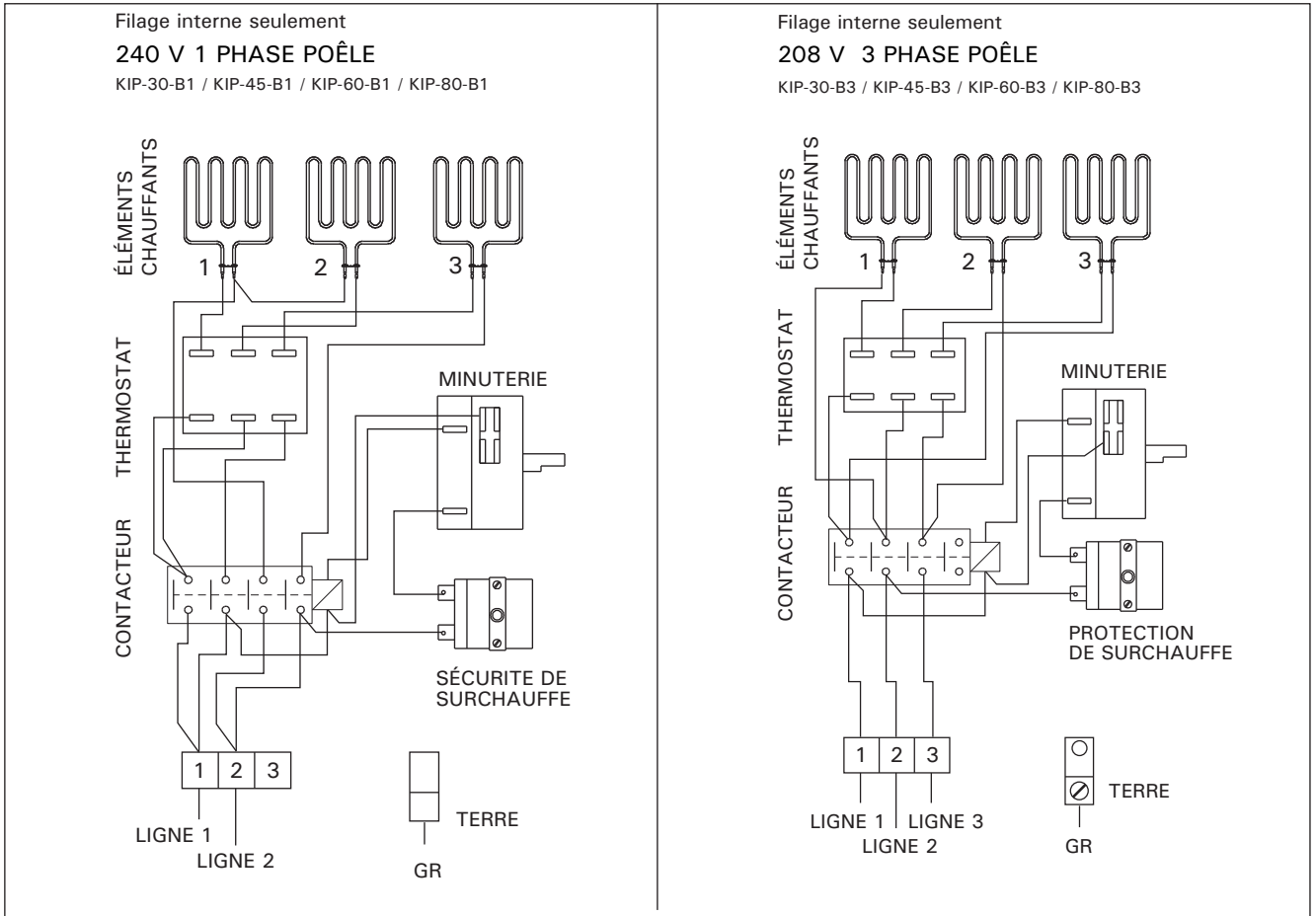


Figure 5.

POELÉ POUR SAUNA (240 V) AVEC COMMANDES INTÉGRÉES						POELÉ POUR SAUNA (208 V) AVEC COMMANDES INTÉGRÉES					
Modèle	kW	Ampères	Tension	PH	Calibre de fil	Modèle	kW	Ampères	Tension	PH	Calibre de fil
KIP-30-B1	3.0	12.5	240	1	#12/2	KIP-30-B3	3.0	8.3	208	3	#14/3
KIP-45-B1	4.5	18.8	240	1	#10/2	KIP-45-B3	4.5	12.5	208	3	#14/3
KIP-60-B1	6.0	25.0	240	1	#10/2	KIP-60-B3	6.0	16.7	208	3	#12/3
KIP-80-B1	8.0	33.3	240	1	#8/2	KIP-80-B3	8.0	22.2	208	3	#10/3

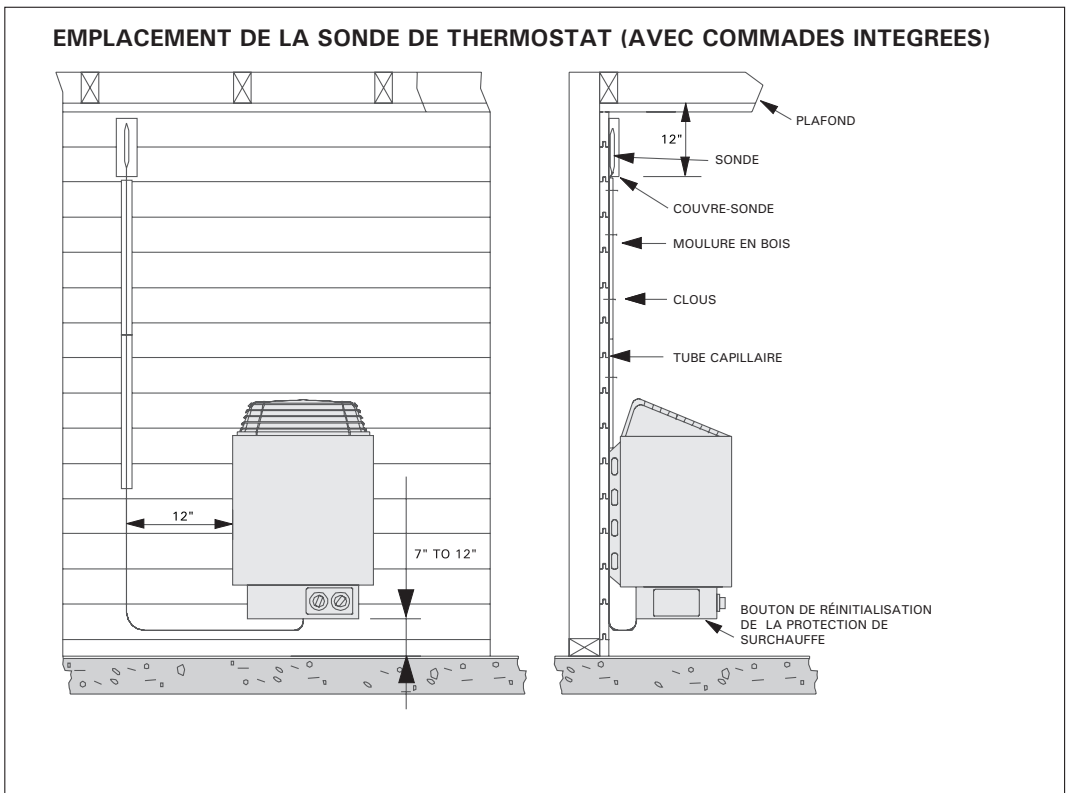


Figure 5a.

CÂBLAGE ET RACCORDEMENT DU POÊLE

Important ! Poêles avec commandes intégrées : Avant de raccorder les fils électriques dans la boîte de l'appareil, retirez le tube capillaire et la sonde de la boîte et montez-les sur le mur à gauche ou à droite de l'appareil. Recouvrez le tube avec la moulure en bois fournie, enroulez l'excédent de tube et placez-le sous l'appareil, près du sol.

Consultez les tableaux de la page 17 pour connaître la taille de fil et l'ampérage appropriés. Voir la page 16 pour les dégagements requis. Tout câblage à l'intérieur des murs et plafond du sauna doit être conçu pour une température de 90°C (194°F) et un fil de cuivre doit être utilisé. Faites passer le fil dans un conduit flexible hermétique à partir du mur au poêle et raccordez-le à la boîte à l'arrière du poêle avec un connecteur de 90°C (194°F). Raccordez les fils aux bornes 1 et 2 et le fil de terre aux bornier correspondant. (Il faut d'abord enlever la plaque de recouvrement sous le poêle).

Remarque ! Si vous prévoyez faire le raccordement du poêle dans le futur, amenez le câblage dans un conduit flexible hermétique dans le sauna à l'endroit prévu pour le poêle et laissez 3' (900 mm) pour le raccordement (il peut être coupé à la bonne longueur ultérieurement).

MINUTERIE

Les poêles ont une minuterie de 60 minutes (de 0 au grand 1 sur le cadran). Si vous souhaitez utiliser le cycle complet de 60 minutes, tournez le bouton de la minuterie au-delà du premier 1 jusqu'au numéro 2 ou 3 sur le cadran. Retournez ensuite au grand numéro 1 jusqu'à ce que vous entendiez un clic. Laissez le bouton sur ce réglage et le sauna fonctionnera pendant 60 minutes avant de s'éteindre automatiquement.

Prévoyez au moins 30 minutes pour que la pièce atteigne la température moyenne d'un sauna. **Remarque !** Si vous réglez la minuterie au delà du premier numéro 1, la minuterie ne se mettra pas en marche avant que le temps réglé soit écoulé. La minuterie de 60 minutes est silencieuse, elle ne fait pas tic-tac.

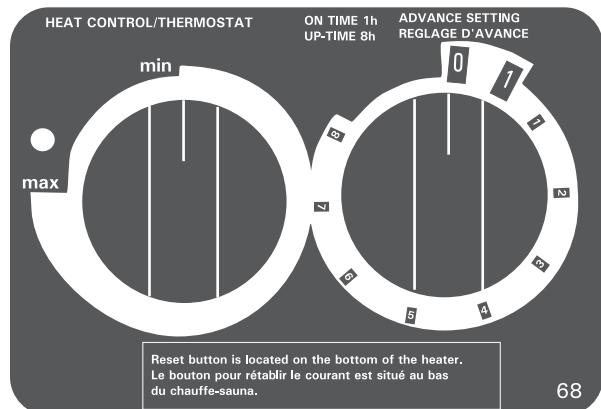
La minuterie a une fonction supplémentaire : une minuterie de délai allant jusqu'à 8 heures (petits chiffres 1 à 8 sur le cadran de la minuterie). Si vous souhaitez pré-régler le chauffage de votre sauna pour qu'il s'allume automatiquement en votre absence, vous pouvez le faire jusqu'à 8 heures à l'avance.

Par exemple, si vous réglez le bouton de la minuterie sur le réglage 3, le sauna s'allumera 3 heures plus tard et sera prêt au bout de 3 heures et demie (en tenant compte d'un temps de chauffage d'une demi-heure). Le chauffage s'éteint automatiquement au bout d'une demi-heure. Si vous souhaitez continuer à utiliser le sauna, remettez la minuterie de 60 minutes sur le grand numéro 1.

Avant faire le premier test, remplissez le bac de pierres avec des pierres ignées fournies d'un détaillant officiel Harvia. Fixez la grille de protection métallique sur le haut du poêle. (Voir les informations générales sur le lavage et le placement des pierres).

Recouvrez la sonde avec le couvre-sonde protecteur fourni en plaçant la sonde dans le coure-sonde, le fixer au mur avec les vis fournies et fermer le coure-sonde en pliant les côtés pour recouvrir la sonde. Soyez prudent en clouant les baguettes de protection du tube capillaire à ne pas percer dit tube. En cas de perforation, le thermostat doit être entièrement remplacé.

Important ! Le poêle doit être raccordé à un disjoncteur bipolaire standard, aucun disjoncteur GFI doit être utilisé. Si ce poêle est connecté à un disjoncteur GFI, des déclenchements intempestifs peuvent se produire, provoquant une usure inutile et involontaire des composants internes. Si l'appareil est connecté à un disjoncteur GFI, la garantie sur les composants internes sera annulée.



Les poêles ont une commande de chaleur (thermostat) qui doit être réglée entre le chauffage minimum et le chauffage maximum, sinon la minuterie ne fera pas chauffer le sauna. Réglez la commande de chaleur au maximum et chauffez le sauna pendant une demi-heure à une heure pour observer la température adéquate du sauna. Si la pièce est trop chaude, ramenez le bouton de réglage de la chaleur vers le réglage minimum jusqu'à ce que la température désirée soit atteinte.

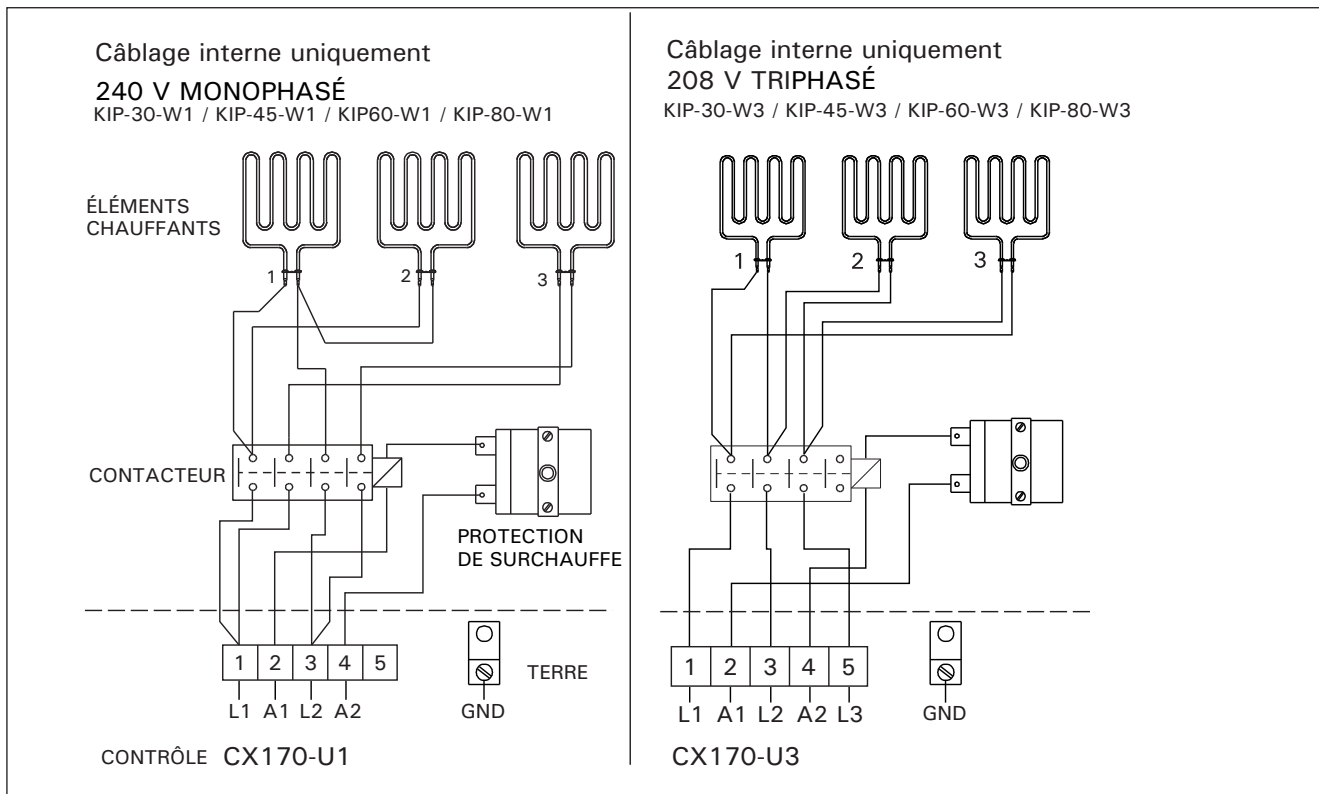


Figure 6. Le schéma de câblage

POÊLE POUR SAUNA (240 V) AVEC COMMANDE MURALE						
Modèle	kW	Ampères	Tension	Phase	Calibre de fil	Contrôle
KIP-30-W1	3.0	12.5	240	1	#12/2 + #14/2	CG170-U1/CX170-U1
KIP-45-W1	4.5	18.8	240	1	#10/2 + #14/2	CG170-U1/CX170-U1
KIP-60-W1	6.0	25.0	240	1	#10/2 + #14/2	CG170-U1/CX170-U1
KIP-80-W1	8.0	33.3	240	1	#8/2 + #14/2	CG170-U1-15/CX170-U1-15

POÊLE POUR SAUNA (208 V) AVEC COMMANDE MURALE CG170-U3/CX170-U3					
Modèle	kW	Ampères	Tension	Phase	Calibre de fil
KIP-30-W3	3.0	8.3	208	3	#14/3 + #14/2
KIP-45-W3	4.5	12.5	208	3	#14/3 + #14/2
KIP-60-W3	6.0	16.7	208	3	#12/3 + #14/2
KIP-80-W3	8.0	22.2	208	3	#10/3 + #14/2

SAUNA : INFORMATIONS GÉNÉRALES

DISPOSITION DES PIERRES : ne faites pas fonctionner le poêle sans pierres !

Les pierres pour poêle sont importantes en termes de sécurité de l'appareil. Afin de conserver la garantie, l'utilisateur est responsable du bon entretien du compartiment à pierres conformément aux spécifications et aux instructions.

Utilisez uniquement les pierres achetées auprès d'un distributeur officiel Harvia. Les pierres de poêle appropriées sont en péridotite, en dolérite à olivine, en olivine et en vulcanite. Lavez les pierres à l'eau claire et placez-les à l'intérieur du boîtier de l'appareil de manière qu'elles se trouvent entre et autour des éléments chauffants. Ne forcez pas les pierres entre les éléments car cela pourrait les endommager.

Utilisez d'abord des pierres plus petites et continuez à remplir de pierres plus grosses jusqu'à ce qu'elles soient à environ 2" (50 mm) sous la grille de protection.

Vous n'aurez pas forcément besoin de toutes les pierres.

La garantie ne couvre pas les défauts dus à l'utilisation de pierres décoratives ou de pierres de poêle non recommandées par le fabricant.

Les pierres doivent être placées librement dans le poêle afin que la chaleur circule bien autour et à travers elles. Les pierres doivent cependant recouvrir complètement les éléments chauffants !

Verser de l'eau sur les éléments exposés peut endommager l'élément chauffant !

TEST DU POËLE DU SAUNA

1. Une fois que le sauna a été correctement raccordé par un électricien agréé conformément au schéma approprié et aux codes locaux, mettez le disjoncteur du sauna en marche dans le panneau de disjoncteurs principal. (**Remarque : l'électricien doit étiqueter le disjoncteur « Sauna »**).
2. Mettez la commande thermostatique (chauffage) en marche (elle est située soit sur votre appareil, soit sur votre télécommande murale. Si vous avez une commande murale le témoin lumineux s'allume pour indiquer que le sauna est en train de chauffer). Réglez la minuterie à 10 ou 15 minutes.
3. Dans les 5 minutes qui suivent, vous devriez pouvoir sentir la chaleur des éléments chauffants lorsque vous tenez votre main près de l'élément chauffant. Ne touchez pas aux éléments ou aux pierres quand le poêle est en fonction ou s'il est chaud!
4. Si le sauna ne chauffe pas, consultez les informations sur le dépannage.
5. Il est normal que de la fumée apparaisse lors du premier chauffage car le revêtement protecteur de l'élément doit brûler. **Faites fonctionner le sauna pendant 1 heure avant de l'utiliser pour la première fois afin de laisser la fumée se dissiper.**

DÉPANNAGE

A. Si le sauna ne fonctionne pas après l'installation initiale et le raccordement :

1. Vérifiez le disjoncteur pour vous assurer qu'il est en marche. Le disjoncteur doit également être de la bonne taille.

2. Vérifiez que la protection de surchauffe n'a pas déclenché.
3. Assurez-vous que le thermostat et la minuterie sont tous deux en position de marche.
4. Assurez-vous que la minuterie s'arrête. Si la minuterie a été court-circuitée, le poêle ne fonctionnera pas.

B. Si le poêle à déjà fonctionné mais qu'il ne fonctionne plus :

1. Vérifiez le disjoncteur pour vous assurer qu'il est en marche.
2. Vérifiez la minuterie pour voir si elle s'arrête.
3. Vérifiez le bouton de réinitialisation de la protection de surchauffe du poêle (la réinitialisation se trouve sous l'appareil de chauffage (modèles muraux)) pour voir s'il a été libéré.
4. Appelez votre électricien ou votre technicien pour obtenir de l'aide.

REMARQUE : Il est absolument défendu d'installer un DISJONCTEUR DE FUITE À LA TERRE (GFI) dans un sauna. S'il est utilisé, le disjoncteur se déclenchera et des dommages pourraient en résulter.

C. Si le poêle du sauna fonctionne, mais que la salle de sauna n'atteint pas la température du sauna (température normale du sauna de 70 à 85 °C (160-185 °F)) :

1. Vous devez prévoir au moins 30 minutes pour le temps de chauffage du sauna.
2. Le thermomètre du sauna est-il placé à 150 mm (6") du plafond, au-dessus ou à proximité du poêle du sauna (c'est l'emplacement approprié pour la lecture de la température du sauna) ? Les lectures du thermomètre varient selon la hauteur de la pièce et l'emplacement. Par exemple, 82 °C (180 °F) au-dessus de l'élément chauffant du sauna = 74 °C (165 °F) sur le mur opposé = 60 °C (140 °F) au niveau du banc supérieur = 49 °C (120 °F) au niveau du banc inférieur = 38 °C (100 °F) au niveau du sol.
3. Vérifiez le calibre des fils, la taille de l'ampérage et le câblage approprié (selon les schémas et les informations), ainsi que le câblage en cuivre nécessaire.
4. Vérifiez l'emplacement des pierres pour vous assurer qu'elles sont bien espacées autour des éléments, afin de garantir une bonne circulation d'air. Des pierres trop serrées limiteront la circulation d'air et réduiront la capacité de chauffage.
5. Vérifiez les pertes de chaleur (autour ou sous la porte, autour du plafonnier ou du ventilateur - nous ne recommandons pas de plafonnier et un ventilateur n'a pas sa place dans un sauna.
6. La pièce est-elle correctement isolée ?
7. Le plafond est-il plus haut que 7' (2100 mm) ?
8. Après avoir vérifié tout ce qui précède, retirez les pierres et vérifiez les éléments de l'appareil de chauffage pour voir s'il y a des trous ou des zones brûlées. (Seulement si l'appareil a été utilisé pendant un certain temps).

Attention ! Électricien ou technicien de maintenance !

1. AVANT DE PROCÉDER À L'ENTRETIEN DU POËLE, DE LA COMMANDE, DU CONTACTEUR

OU DE RÉINITIALISER LA LIMITE SUPÉRIEURE, COUPEZ LE COURANT AU NIVEAU DU DISJONCTEUR !

2. Ouvrez le boîtier de connexion pour vérifier que les fils sont bien branchés. Le fil du poêle et tous les fils qui y sont raccordés doivent être en cuivre.
3. Regardez si le câblage de la minuterie ou du thermostat comporte des brûlures ou des courts-circuits.

La garantie sur les pièces du poêle est annulée si l'installateur/électricien ne suit pas les informations nécessaires fournies sur le câblage ou ne respecte pas le code en ce qui concerne le calibre des fils, l'intensité, etc.

CIRCUIT DE SURCHAUFFE



Avant de réinitialiser le bouton de protection de surchauffe, coupez le courant au niveau du disjoncteur !

Chaque poêle est équipé d'une protection de



La protection de surchauffe de l'appareil peut également se déclencher à des températures inférieures à -5 °C / 23 °F (stockage, transport, environnement). Avant l'installation, gardez l'appareil dans un environnement chaud. La protection de surchauffe peut être réinitialisée lorsque la température de l'appareil est d'environ 18 °C / 64 °F. La protection de surchauffe doit être réinitialisée avant d'utiliser l'appareil. Voir le manuel d'utilisation > Réinitialisation du protecteur de surchauffe.

surchauffe par mesure de sécurité. En cas de surchauffe, le poêle s'éteint automatiquement et ne se rallume pas avant d'avoir refroidi.

Pour réinitialiser la protection de surchauffe, repérez le bouton de réinitialisation (en bas, à l'avant sur les modèles muraux, et poussez-le vers le haut jusqu'à ce que le contacteur se déclenche. Vérifiez qu'il n'a pas été installé de disjoncteur de fuite à la terre (GFI).

Aucune PRISE DE COURANT n'est autorisée dans un sauna. Si un haut-parleur est installé dans un sauna, il ne doit pas être situé à plus de 3' (900 mm) du sol et doit être éloigné du poêle. (Consultez le fabricant pour connaître les spécifications requises.)

L'ÉCLAIRAGE de style doit être mural doit avoir un boîtier d'installation hermétique à la vapeur encastré dans le lambris intérieur. Il doit être monté au max. à 6' 6" du plancher, sans être situé directement au-dessus du poêle ou des bancs supérieurs. L'ampoule ne doit pas dépasser 75 watts. **REMARQUE** : la chaleur peut provoquer une usure accélérée de l'éclairage. Pour obtenir des résultats plus durables, placez l'éclairage au bas de la pièce, loin du chauffage. Le dessous des bancs est un emplacement idéal.

Pour des raisons de sécurité, il est nécessaire d'installer une **CEINTURE DE PROTECTION AUTOUR DU POÊLE** de 1" x 2" (25 x 50 mm) ou 2" x 2" (50 x 50 mm) de la même essence de bois que l'intérieur du sauna. Voir les figures 2-4 pour connaître le dégagement nécessaire autour du

poêle. La ceinture doit être fixée à la paroi et ne doit pas dépasser le haut du poêle, au-dessous du niveau des pierres.

CONSTRUCTION DE LA CABINE : INFORMATIONS GÉNÉRALES

A. CADRAGE

2" x 4" (50 x 100 mm) tout matériau en bois approprié, 16" (406 mm) c. à c.

B. HAUTEUR DU PLAFOND

Pas plus haut que 7'0" (2100 mm).

C. ISOLATION

Isolation en fibre de verre ou en laine de roche avec un facteur d'isolation minimum de R11 dans tous les murs et le plafond. Un pare-vapeur en aluminium recouvert de papier est installé sur l'isolation de tous les murs et du plafond, le côté aluminium étant orienté vers la salle de sauna.

D. GYPSE

Voir les codes locaux. N'est pas requis dans la plupart des résidences. Voir les codes locaux commerciaux. Si des panneaux de gypse sont utilisées, appliquez un fond de clouage en bois de 1" x 2" (25 x 50 mm) afin de pouvoir fixer les planches de mur et de plafond.

E. LAMBRIS

Utilisez du bois résineux clair à rainure et languette séché au four, tel que l'épinette, le pin, le tremble, l'aulne, le cèdre ou tout autre matériau résineux approprié (dont la teneur en humidité ne dépasse pas 11 %).

F. BANCS

Utilisez du bois assorti ou tout autre bois approprié, tel que décrit à la section E. Réduisez au minimum les nœuds sur les bancs, car ils peuvent devenir très chauds et être inconfortables pour les baigneurs. Fixez par le bas pour éviter les brûlures.

G. GARDE-CORPS DU CHAUFFE-EAU

Utilisez du bois résineux assorti.

H. PORTE

Doit s'ouvrir vers l'extérieur et ne doit pas avoir de serrure.

I. REVÊTEMENT DE SOL

Béton, carreaux de céramique ou vinyle résistant.

J. VENTILATION

La ventilation doit être assurée par un entrée d'air près du poêle, à 50 mm (2") du plancher, et par une sortie d'air sur le mur opposé (si possible), à une distance de 300 mm (12") à 600 mm (24 po) du plancher. Les événements doivent être réglables et permettre de renouveler l'air 5 fois par heure. Le sauna doit être muni des ventilations prévues, conformément aux exigences des autorités locales.

K. LUMIÈRE

L'éclairage mural, de type étanche à la vapeur, peut être utilisé à une distance minimale de 6" (150 mm) du plafond ; il peut être placé plus bas dans la pièce. La chaleur peut accélérer l'usure de l'éclairage, pour une installation plus durable, placez les lumières plus bas dans le sauna, loin du poêle (sous les bancs est idéal).

L. ACCESSOIRES

Le seau, la louche et le thermomètre sont

essentiels. Le thermomètre doit être placé au-dessus du poêle du sauna, à 6" (150 mm) du plafond, pour une lecture correcte de la température. Les thermomètres peuvent nécessiter un étalonnage avant utilisation pour des lectures précises. D'autres accessoires tels que l'hygromètre, le sablier, les brosses, etc. sont disponibles.

M. INSTRUCTIONS D'ENTRETIEN

Sont incluses à la fin de ce manuel.

N. PANNEAUX D'AVERTISSEMENT

Sont fournis avec le poêle à sauna. Le panneau métallique « WARNING / AVERTISSEMENT » doit être fixé au mur, près du poêle, dans un endroit visible. Le panneau métallique « CAUTION / AVERTISSEMENT » doit être fixé à l'extérieur, sur la porte du sauna.

ATTENTION !

- **Ne pas fumer, consommer d'alcool ou faire de l'exercice dans le sauna !**
- **Ne pas passer plus de 30 min de suite dans le sauna car une exposition excessive peut nuire à la santé. Le sauna ne doit pas être utilisé comme test d'endurance !**
- **Les personnes en mauvaise santé doivent consulter leur médecin avant d'utiliser le sauna !**
- **Évitez le feu, ne placez aucun matériau combustible sur le poêle (serviettes, maillots de bain, seau ou louche en bois) !**
- **Utiliser uniquement de l'eau propre du robinet sur les pierres. Ne pas utiliser d'eau de piscine ou de spa ou de puits car du chlore peut être produit et les éléments chauffants peuvent être endommagés !**
- **L'hyperthermie se produit lorsque la température interne du corps dépasse de plusieurs degrés la température normale du corps (98,6 °F (37°C)). Les symptômes d'hyperthermie incluent une hausse de la température interne du corps, des vertiges, la léthargie, la somnolence et l'évanouissement.**

Les effets de l'hyperthermie sont les suivants :

- A) L'incapacité à percevoir la chaleur ;
- B) L'indifférence au besoin de sortir de la pièce ;
- C) L'inconscience du danger imminent ;
- D) des lésions fatales chez les femmes enceintes ;
- E) l'incapacité physique à sortir de la pièce ;
- F) la perte de connaissance.

AVERTISSEMENT : La consommation d'alcool, de drogues ou de médicaments peut augmenter considérablement le risque d'hyperthermie mortelle.

INSTRUCTIONS D'ENTRETIEN

1. Utilisez uniquement de l'eau propre sur les pierres du sauna. N'utilisez pas l'eau d'un piscine, d'un spa ou d'un puits, car elle détruirait votre poêle.
2. Utilisez toujours de l'eau propre dans les seaux du sauna et videz l'eau après chaque utilisation. Frottez les seaux et les louches de temps en temps lorsqu'une pellicule commence à se former après utilisation. Utilisez une doublure en plastique dans le seau pour éviter des fuites d'eau.

3. Frottez les bancs avec une brosse douce, en utilisant de l'eau et du savon ou un désinfectant doux, lorsque cela est nécessaire - environ une fois par semaine dans les saunas commerciaux, ou selon l'utilisation du sauna. Pour des raisons sanitaires, chaque baigneur doit s'asseoir ou s'allonger sur une serviette (ceci prolongera la durée de vie du banc).
4. Retirez les revêtements de sol amovibles et lavez le sol imperméable avec un désinfectant (par exemple, Pine Sol) environ une fois par semaine ou aussi souvent que nécessaire. Nettoyez le revêtement de sol amovible à l'aide d'une hose d'eau.
5. Pour préserver la beauté du poêle, essuyez les tâches d'eau avec un chiffon humide de temps en temps.
6. Nos poêles de sauna ne nécessitent aucune maintenance particulière lorsqu'ils ont été correctement installés par un électricien qualifié. Au bout de 5 années d'utilisation, il peut être nécessaire de remplacer les pierres si elles se sont effritées ou pulvérisées.
7. Nous recommandons fortement l'utilisation d'un sol qui peut être facilement nettoyé (béton, carrelage ou sol coulé). Le sauna peut ainsi être facilement gardé propre. Il est fortement déconseillé de mettre un tapis dans un sauna ! Un tapis deviendrait un support idéal pour les bactéries dans l'environnement humide du sauna. Il favoriserait également la transmission des maladies des pieds telles que le pied d'athlète. Pour les mêmes raisons, le caillebotis en bois ne doit pas être utilisé comme revêtement de sol.
8. Dans une nouvelle construction, un siphon de sol doit également être installé pour faciliter le nettoyage et l'entretien, en particulier dans les saunas commerciaux.
9. Scellez le bois autour de la vitre de la porte (à l'intérieur et à l'extérieur) avec du le scellant Harvia pour éviter qu'il ne se déforme.
10. Lorsque le bois du sauna est taché par la transpiration, il est possible de le sabler légèrement avec un papier sablé fin pour renouveler sa beauté. Nous ne recommandons pas l'utilisation de teintures ou de scellants, car des vapeurs toxiques peuvent se produire lorsqu'ils sont chauffés. Cependant, deux couches de scellant Harvia peut être utilisées sur les bancs en bois d'un sauna commercial afin de faciliter le nettoyage du bois et de le maintenir en bon état sanitaire - le bois n'absorbera pas la transpiration.
11. La cabine du sauna se réchauffe plus rapidement si la sortie d'air est fermée pendant la période de chauffage. L'entrée d'air d'aération basse peut toujours rester ouverte.
12. Les panneaux d'avertissement requis doivent être installés selon les instructions.

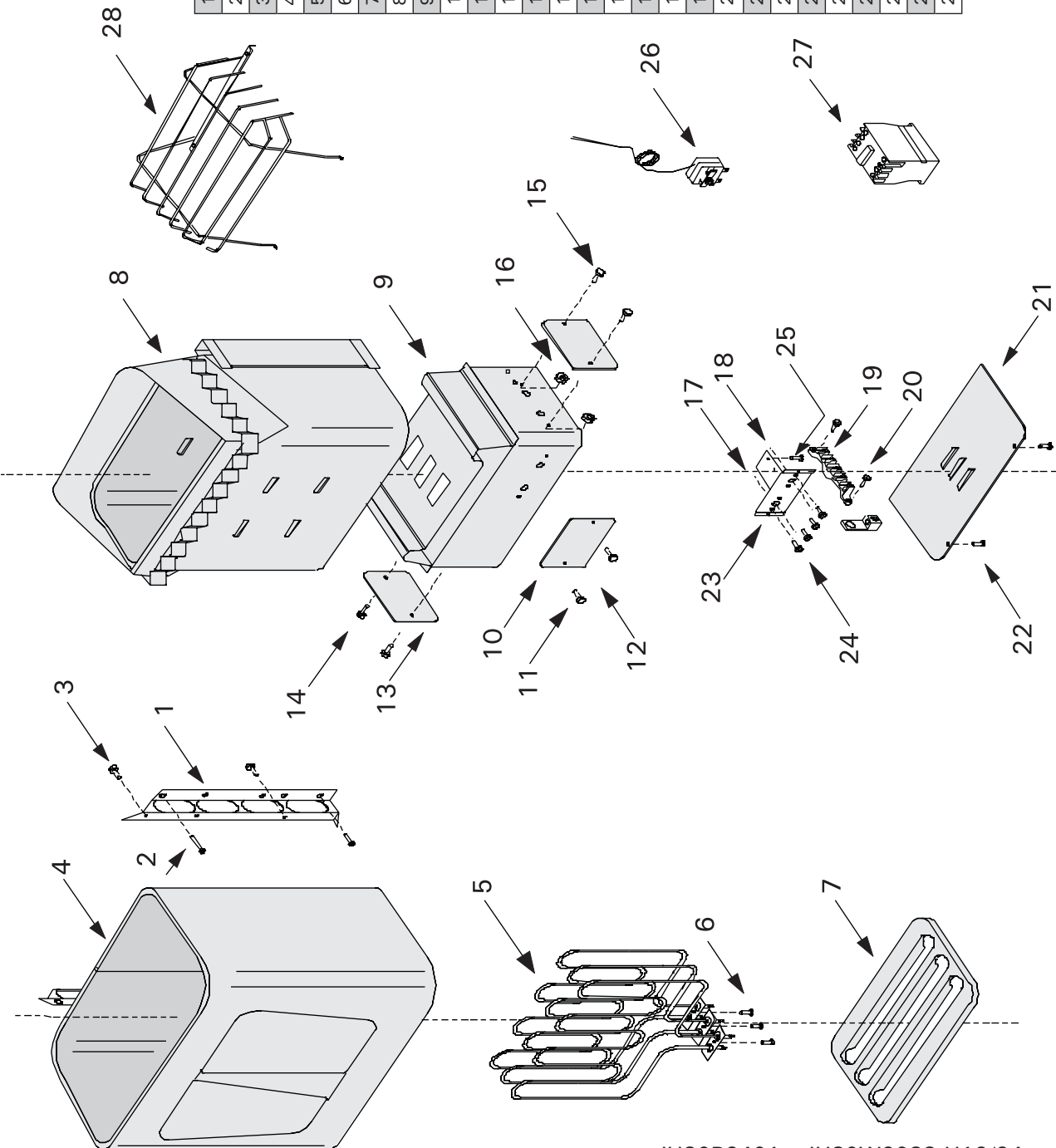
Le propriétaire du poêle du sauna doit s'assurer que le poêle du sauna est correctement éteint après chaque bain.

Le propriétaire du poêle doit respecter les instructions d'entretien !

KIP-60-B1/KIP-60-B3

Poêles de sauna -W1, W3 sans elements n° 12, 17 et 18

1.	Console d'installation
2.	Vis autotaraudeuse
3.	Vis
4.	Corps du poêle
5.	Élément chauffant
6.	Vis à tête fendue
7.	Grille
8.	Logement des pierres, monté
9.	Boîtier électrique, monté
10.	Plat
11.	Vis
12.	Vis autotaraudeuse
13.	Plaque signalétique
14.	Vis à tête fendue
15.	Vis à tête fendue
16.	Écrou
17.	Thermostat
18.	Minuteur
19.	Bornier (USA)
20.	Vis du bornier (USA)
21.	Socle
22.	Vis
23.	Crochet
24.	Vis à tête fendue
25.	Vis à tête fendue
26.	Détecteur/interrupteur de surchauffe
27.	Contacteur (USA)
28.	Grille de protection



JH30B2401 - JH80W2083 H12/94
 JF30B2401 - JFIN802083 H12/94

GARANTIE

Ce poêle de sauna est garanti pour une durée d'un an à partir de la date d'achat et comprend toutes les pièces du poêle, tel que le thermostat, la minuterie, le contacteur, etc. Les éléments chauffants sont des biens consommables et ne sont donc garantis que lors de la première utilisation.

La présente garantie couvre uniquement les défauts de fabrication et de matériau et comprend l'échange des pièces défectueuses contre de nouvelles pièces fournies par le fabricant ou l'importateur une fois que les pièces défectueuses lui ont été renvoyées. Le remplacement des pièces sous garantie ne prolonge pas la période de garantie au-delà de l'année d'origine.

La garantie ne couvre pas les défaillances provoquées par l'usure normale, une installation incorrecte, un mauvais entretien, le non-respect des instructions d'installation, d'utilisation et d'entretien fournies par le fabricant ou les modifications apportées au sauna.

La présente garantie est annulée si le poêle est incorrectement utilisé. Il est interdit de verser de l'eau de piscine, de spa ou de puits sur les pierres du sauna car les produits chimiques endommageraient le poêle. La cabine du sauna doit être chauffée pendant au moins 30 minutes avant que de l'eau ne

soit versée sur les pierres. Pas plus d'une ou deux louchées d'eau à la fois ne doivent être versées sur les pierres chaudes. La présente garantie est annulée si une douche a été installée dans la cabine du sauna.

La présente garantie ne couvre ni les frais de livraison de la pièce défectueuse ni les frais de main-d'œuvre de réparation sur place. Si le poêle de sauna est renvoyé au fabricant ou à l'importateur dans un délai de cinq ans à partir de la date d'achat, l'importateur fournira gratuitement la main-d'œuvre pour les réparations mais facturera les pièces si la date d'achat remonte à plus d'un an.

La présente garantie est annulée si l'installation et le câblage n'ont pas été effectués par un électricien certifié ou agréé et un représentant qualifié qui doit apposer sa signature ci-dessous.

La présente garantie est annulée si elle n'est pas remplie et renvoyée au point d'achat par courrier postal ou électronique dans un délai de 15 jours à partir de la date d'achat et elle ne s'applique qu'à l'installation d'origine du produit et au premier acheteur.

POÊLE DE SAUNA _____

NUMÉRO DE MODÈLE _____

NUMÉRO DE SÉRIE _____

DATE D'ACHAT _____

PREMIER PROPRIÉTAIRE _____

ADRESSE _____

ACHETÉ CHEZ _____

L'ÉLECTRICIEN NOM _____

ET ADRESS DE L'ENTREPRISE _____

SIGNER ICI _____

NUMÉRO DE LA LICENCE DE L'ÉLECTRICIEN _____

OU NUMÉRO D'IDENTIFICATION FISCALE _____

DATE DE CÂBLAGE & _____

RACCORDEMENT ÉLECTRIQUE _____