

# HARVIA THE WALL

HSW800400

*Harvia The Wall heater was created with a focus on functionality. Illuminated operating switches, easy installation, and durable structure make The Wall heater versatile in its features.*

## Advantages

- Compact, stylish and reliable heater for medium-sized sauna rooms
- The space-saving heater fits in a great variety of saunas
- Illuminated operating switches
- Option to choose right and lefthanded installation
- Option to integrate heater in the sauna bench



## Features

Main material : Steel

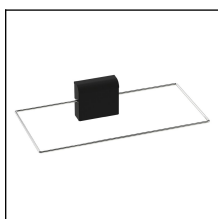
H x W x D : 700.0 x 430.0 x 260.0 mm

Net weight (kg) : 13.6

Installation location : Wall

ID	GTIN	Output (kW)	Sauna room size min - max m3
HSW800400	6410082660278	8 kW	7.0-12.0

## Related products



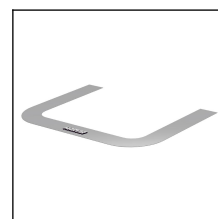
SFE-220400



HSW5



HSW5L



HSW1



HSW5

## Spare parts

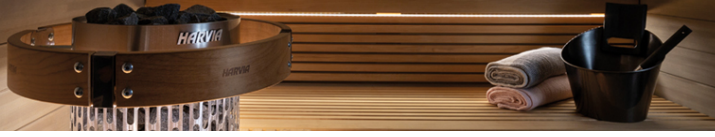
Product	ID	Pcs
Heating element, The Wall 2670W / 230V	Y10-0014	3
Wall mounting bracket, Wall all models	ZWA-058	
Heating element support part The Wall	ZWA-007	1
Grid for The Wall heater	ZWA-023	1
Air flow spoiler Wall	ZWA-009	1
Timer knob, The Wall	ZWA-011	1
Axle inlet rubber seal, The Wall	ZWA-022	1
Sähkösarja Wall 1/3	ZWA-074	1
Interface part Wall 4,5-9 kw	ZWA-083	
Pilot lights The Wall, red	SPZWA-061	
Heating element support, The Wall	SPZWA-007	
Grid, The Wall heater	SPZWA-023	
Lead through rubber, The Wall	SPZWA-022	
Axle long, The Wall SW80-90	SPZWA-016	
Knob timer, The Wall SW45-90	SPZWA-011	
Heating element 2670W 230V	SPY10-0014	3

## Technical details

Technical data	Type / attribute	HSW800400
	Color	Stainless Steel
	Power output	8 kW
	Stone sizes	Ø5-10 cm
	Stone amount (kg)	20
Dimensions	Product width	430
	Product height	700
	Product depth (mm)	260
	Net weight (kg)	13.6
	Gross weight	15.3
	Package width	460
	Package height	630
	Package depth	265
Safety and installation dimensions	Safety distance front (non-combustible materials)	30
	Safety distance front (combustible materials)	30
	Safety distance right side (combustible materials)	70
	Safety distance right side non-combustible materials	70
	Safety distance left side (combustible materials)	70
	Safety distance left side non-combustible materials	70
	Safety distance side (non-combustible materials)	70
	safety distance to the side wall (combustible materials)	70
	Safety distance (Ceiling)	1200
	Room min. height(depends on connections and therefore from output, star/delta)	1900
	Installation opening height	1900
	Installation opening width	570
	Installation opening depth	290

DATA SHEET

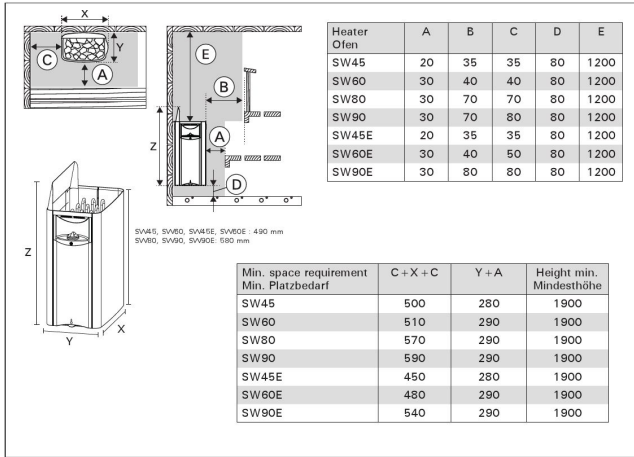
# HARVIA ELECTRIC HEATERS



**HARVIA**

Sauna & Spa

Technical images



Minimum safety distances (all measurements in millimeters)

30

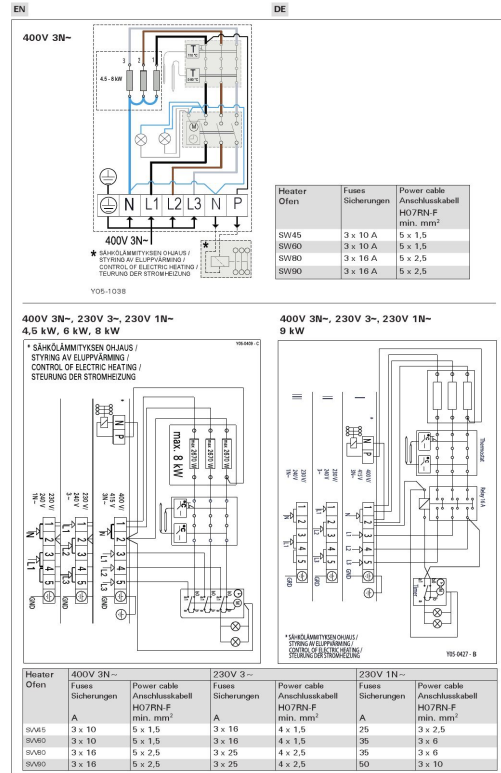


Figure 11a. Electrical connections (SW45, SW60, SW80, SW90)  
Abbildung 11a. Anschlussplan (SW45, SW60, SW80, SW90)