

HARVIA VIRTA

HL900400SA

The Virta Combi is a combined electric heater and steamer that provides a variety of sauna experiences. You can select between a traditional Finnish sauna, a steam sauna, a herbal sauna or an aromatic sauna.

Advantages

- The Virta Combi is a combined electric heater and steamer with sturdy structure for home sauna and professional use
- The large number of stones guarantees soft and abundant steam. Efficient air circulation heats the sauna very quickly
- Sleek and modern design
- The steamer is on the front behind the maintenance hatch
- The heating elements are separated from the stones, which results in a long heating element life span



Features

Main material : Steel

H x W x D : 810.0 x 415.0 x 410.0 mm

Net weight (kg) : 28.0

Installation location : Floor

ID	GTIN	Output (kW)	Sauna room size min - max m3
HL900400SA	6410082613212	9 kW	8.0-14.0

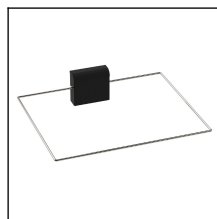
Related products



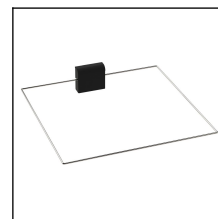
HL1



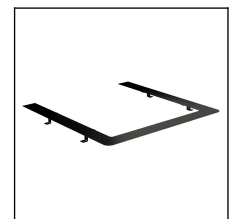
HL3



SFE-350400



SFE-500500



HL1M

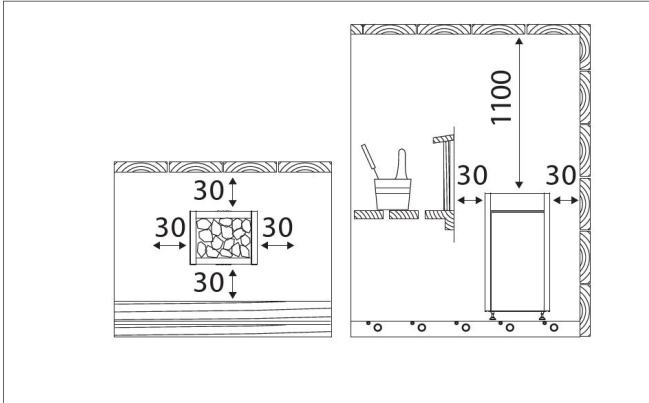
Spare parts

Product	ID	Pcs
Soapstone cup Ø 46/36	ZH-205	1
Virta Combi, watertank complete, automat	ZCU-601	1
Adjustable leg	ZSA-440	
	ZCU-841	
Water tank automatic complete, Virta Combi	SPZCU-601	
Heating element 2000W 230V	SPZH-104	1
Heating element 3000W 230V	SPZCU-830	3
Soapstone cup Ø 46/36, grey	SPZH-205	

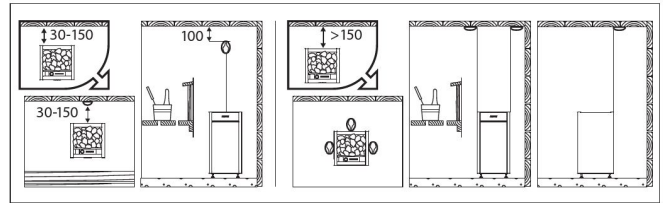
Technical details

Technical data	Type / attribute	HL900400SA
	Color	Black
	Power output	9 kW
	Stone sizes	Ø5-10 cm
	Stone amount (kg)	50
Dimensions	Product width	415
	Product height	810
	Product depth (mm)	410
	Net weight (kg)	28
	Gross weight	30.2
	Package width	500
	Package height	870
	Package depth	505
Safety and installation dimensions	Safety distance front (non-combustible materials)	30
	Safety distance side (non-combustible materials)	30
	Safety distance behind (non-combustible materials)	30
	Safety distance (Ceiling)	1100
	Room min. height(depends on connections and therefore from output, star/delta)	1900

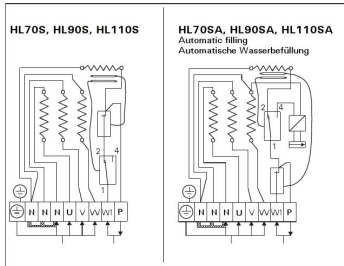
Technical images



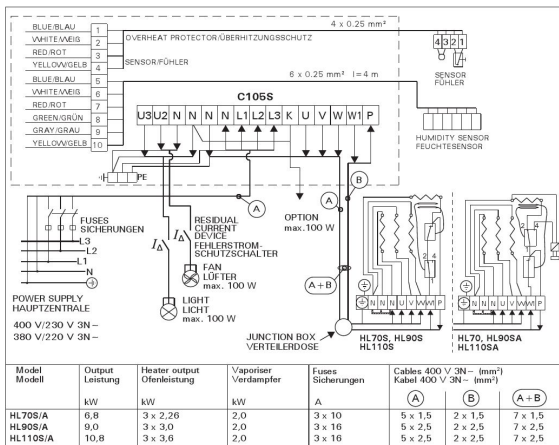
Minimum safety distances (all dimensions in millimeters)



Installing the temperature sensor (all dimensions in millimeters)



Electrical connections



Electrical connections of control unit C105S and HLS(A) heater